



6128

***TWIN-FLEX* MERGER
PARTS BOOK**

Part #79759

HSMFG032421

Rev. #05

Starting Ser. # 121TF62810

STRONG HERITAGE - STRONG PEOPLE - STRONGER FUTURE

CONTENTS

Instructions for Ordering Parts	1
Figure 1 - Hitch Components.	2-3
Figure 2 - Main Pole & Lock Post.	4-5
Figure 3 - Filter & Components.	6-7
Figure 4 - Axle Base Components.	8-9
Figure 5 - Rear Frame & Components.	10-11
Figure 6 - Side Shield & Components	12-13
Figure 7 - Suspension & Components	14-17
Figure 8 - Head Frame & Components.	18-19
Figure 9 - Reel Idler & Components	20-21
Figure 10 -Tine Bar & Components	22-23
Figure 11 - Gear Box	24-25
Figure 12 - Drive Roller & Components	26-27
Figure 13 - Skid Shoe & Components.	28-29
Figure 14 - Belt & Components.	30-31
Figure 15 - Deflector & Components	32-33
Figure 16 - Head Lock Bracket & Components	34-35
Figure 17 - Main Pole Hydraulic	36-37
Figure 18 - Unfold Hydraulics	38-39
Figure 19 - Suspension Hydraulics	40-41
Figure 20 - Hydraulic Motor & Components	42-43
Figure 21 - Hydraulic Valve	44-45
Figure 22 - Accumulator & Hydraulic	46-47
Figure 23 - Head Hydraulic Valve	48-49
Figure 24 - PTO 1-3/8 1000RPM Standard	50
Figure 25 - PTO 1-3/8 1000RPM Long	51
Figure 26 - PTO 1-3/4 1000RPM Standard	52
Figure 27 - PTO 1-3/4 1000RPM Long	53
Figure 28 - Remote Filter	54-55
Figure 29 - Display Mount	56-57
Figure 30 - Lights	58-59
Figure 31 - Electrical	60-61
Figure 32 - Optional TFOHSS	62-63
Figure 33 - Optional TFODDCC	64-65
Parts Notes	66

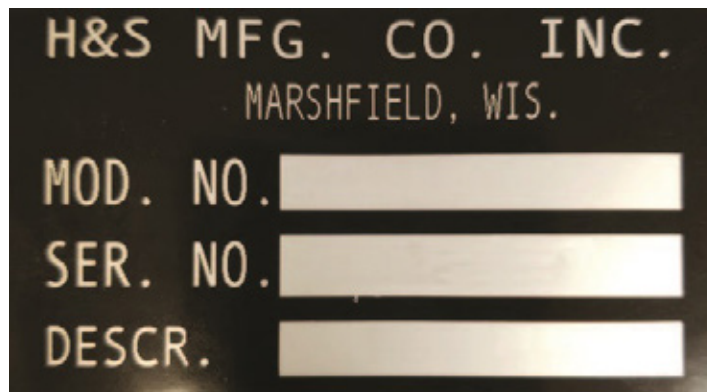
INSTRUCTIONS FOR ORDERING PARTS

All service parts should be ordered through your authorized H&S dealer. Your Dealership will be able to give you faster service if you will provide them with the following:

1. Model & Serial Number - Both can be located on the rear main frame.
2. All references to left or right apply to the machine as viewed from the rear.
3. Parts should not be ordered from illustration only. Please order complete part number.
4. If your dealer has to order parts - give shipping instructions:

VIA truck - large pieces (please specify local truck lines)

VIA United Parcel Service (include full address)



H&S MFG. CO. INC.
MARSHFIELD, WIS.

MOD. NO.

SER. NO.

DESCR.

PLEASE RECORD NUMBERS FOR YOUR UNIT FOR QUICK REFERENCE

ABOUT IMPROVEMENTS

H&S IS CONTINUALLY STRIVING TO IMPROVE ITS PRODUCTS

We must, therefore, reserve the right to make improvements or changes whenever it becomes practical to do so, without incurring any obligation to make changes or additions to the equipment previously sold.

FIGURE 1 **HITCH & COMPONENTS**

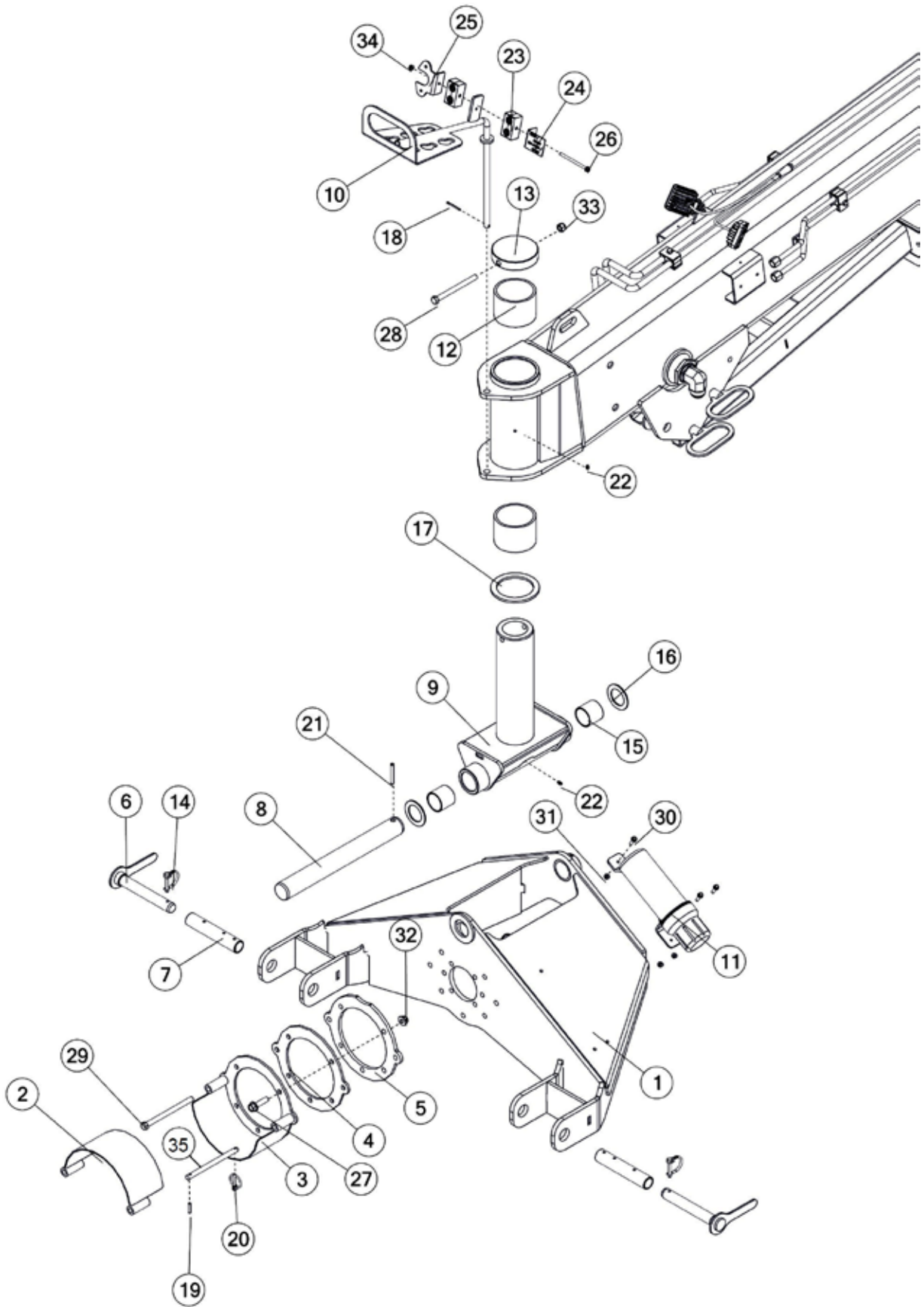


FIGURE 1

HITCH & COMPONENTS

<u>ITEM</u>	<u>QTY</u>	<u>PART#</u>	<u>DESCRIPTION</u>
1	1	79171B	3 PT HITCH
2	1	79340B	PTO SHIELD COVER
3	1	79339	PTO LOWER SHIELD
4	1	79333	COVER SPACER, .25
5	1	79331	COVER SPACER, .375
6	2	PTMWE65	HITCH PIN
7	2	PTMTU56	CAT 3 ADAPTER TUBE
8	1	79165	3PT HITCH PIVOT PIN
9	1	79158	3PT HITCH PIVOT
10	1	79219	HOSE HOLDER
11	1	S522	MANUAL HOLDER
12	2	70157	BUSHING
13	1	79167	PIVOT CAP
14	1	DWM324	SNAPPER PIN
15	2	PTMMS120	BUSHING
16	2	RG24	BRONZE THRUST WASHER
17	1	SHM2MS29	HITCH THRUST WASHER
18	1	YPCT05010	COTTER PIN, 5/32 X 1-1/2
19	1	YPEX08010	EXPANSION PIN, 1/4 X 1-1/4
20	1	YPLY06010	LYNCH PIN, 3/16 X 1-9/16
21	1	YPEX12023	EXPANSION PIN, 3/8 X 2-1/2
22	2	G89	STRAIGHT ZERK 1/4-28 X 90
23	2	56596	CLAMP CUSHION (SET OF 2)
24	1	79432	HOSE TAG
25	1	79745	PLUG BRACKET
26	1	YBFB08050	BOLT FLANGE, 1/4 X 4 G5
27	5	YBFB16200	BOLT FLANGE, 1/2 X 2 G5
28	1	YBHH16165	BOLT HEX, 1/2 X 6 G5
29	1	YBHH16180	BOLT HEX, 1/2-13 X 7 G5
30	1	YBFB08100	BOLT FLANGE, 1/4 X 1 G5
31	1	YNFG08010	NUT FLANGE, 1/4
32	6	YNFG16003	NUT FLANGE, 1/2
33	1	YNNY16005	NUT HEX, 1/2-13 G2
34	1	YNFG08010	NUT FLANGE, 1/4
35	1	79341	SHIELD PIN

FIGURE 2 **MAIN POLE & LOCK POST**

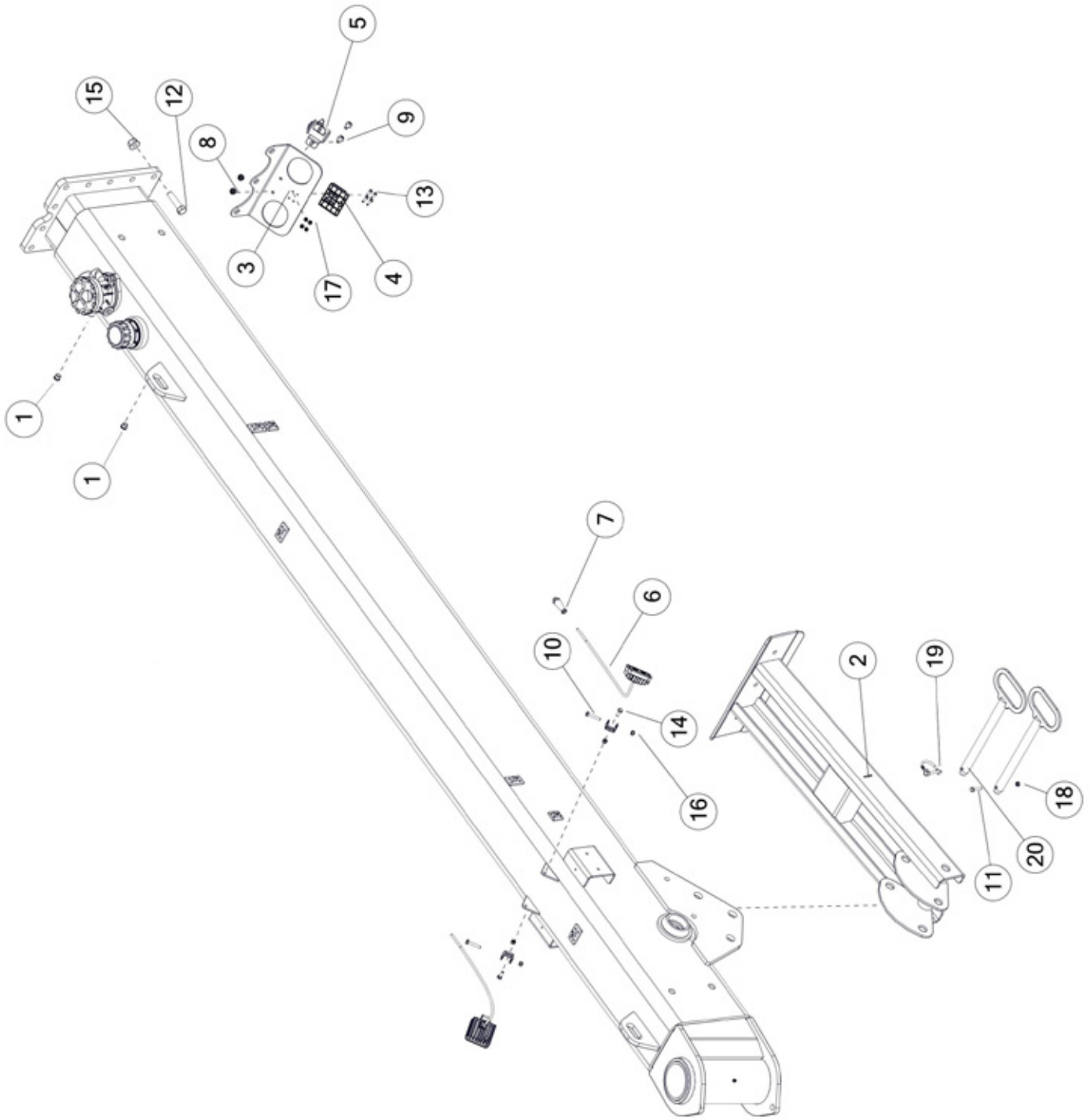


FIGURE 2

MAIN POLE & LOCK POST

<u>ITEM</u>	<u>QTY</u>	<u>PART#</u>	<u>DESCRIPTION</u>
1	2	SD270	HOLLOW HEX PLUG W/VALVE BODY
2	1	79174	JACK STAND
3	1	89545	POLE BRACKET
4	1	77590	12V, 6 WAY, FUSE BLOCK
5	1	83008	SOLENOID
6	2	79334	LIGHT
7	1	83185	WIREABLE CONNECTOR, 4 PIN MALE
8	2	YNFG10005	NUT FLANGE, 5/16
9	2	YBFB10075	BOLT FLANGE, 5/16 X 3/4
10	2	YBHH08025	BOLT HEX, 1/4-20 X 1-1/2
11	1	YBHH08035	BOLT HEX, 1/4-20 X 1-1/4
12	13	YBFB24010	BOLT FLANGE, 3/4 X 2-3/4 G5
13	4	YSHS64015	BOLT, SOCKET, #10-24 X 1
14	2	YBHH08100	BOLT HEX, 1/4-20 X 3/4
15	13	YNFG24006	NUT FLANGE, TOPLOCK 3/4
16	6	YNNY08005	NUT HEX, 1/4
17	4	YNNY64005	NUT HEX, #10-24
18	1	YNRL08005	NUT HEX, 1/4-20
19	1	DWM324	SNAPPER PIN
20	2	79180	JACK STAND LOCK PIN

FIGURE 3 FILTER & COMPONENTS

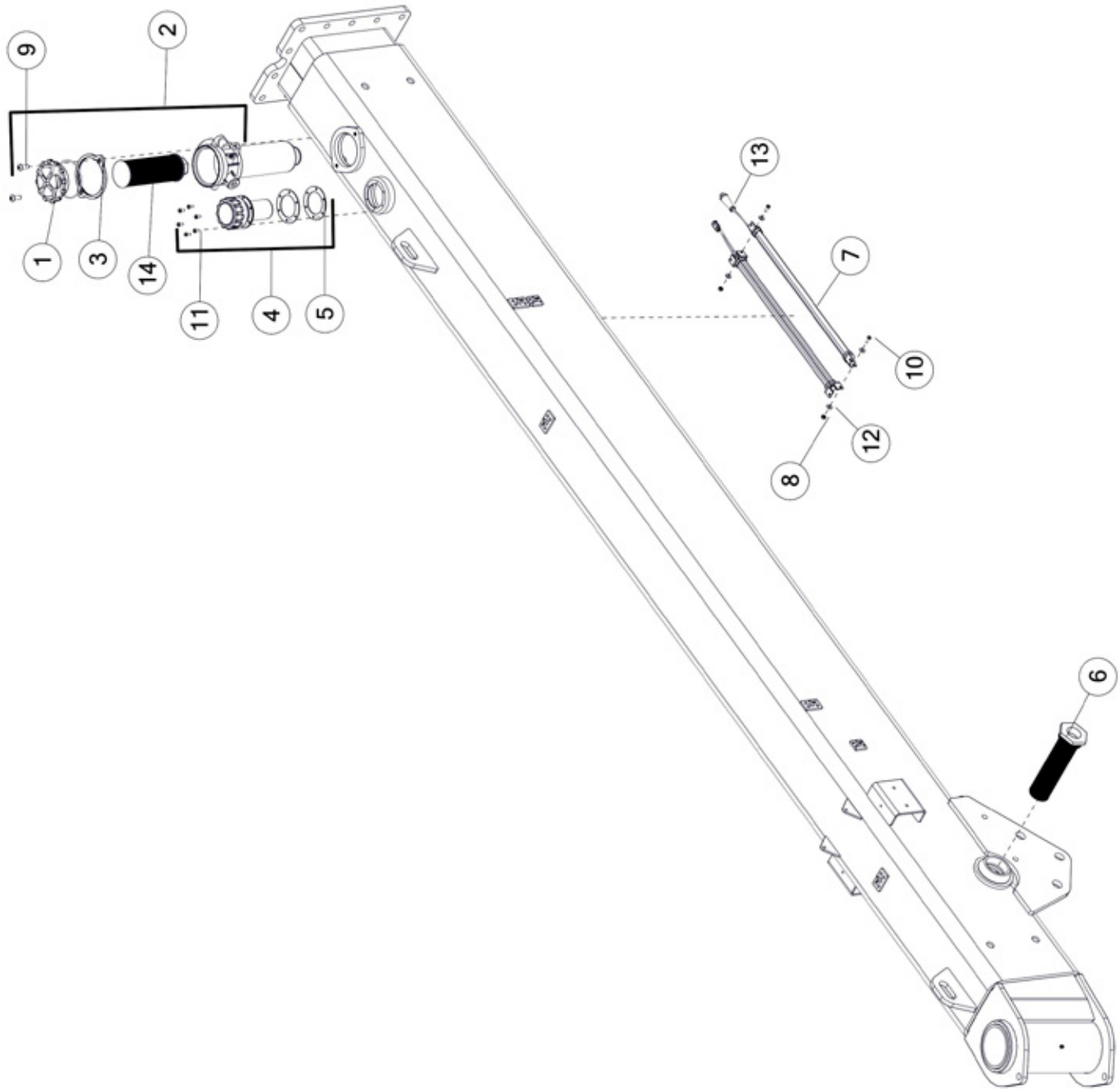


FIGURE 3 **FILTER & COMPONENTS**

<u>ITEM</u>	<u>QTY</u>	<u>PART#</u>	<u>DESCRIPTION</u>
1	1	78776	FILTER HOUSING CAP
2	1	76187	IN TANK FILTER
3	1	78779	SEAL KIT, TANK FILTER
4	1	78773	FILLER, WRAPPER TANK
5	1	78774	FILLER GASKET
6	1	79035	SCAVANGE FILTER
7	2	77783	LIGHT BAR, 12V X .32A X 1000 LU
8	2	YNNY64005	NUT HEX, #10-24 G2
9	2	YSBS12005	SCREW BUTTON HEAD, SOCKET CAP, 3/8 X 1
10	2	YSPN64005	MACHINE PPHS, #10-24 X 5/8 ZINC
11	6	YSPP64005	SCREW, PHILLIPS PAN HEAD TYPE, 10 X 1/2
12	4	YWFL64005	WASHER FLAT, STAINLESS STEEL, 1/8
13	1	83185	WIREABLE CONNECTOR, 4 PIN MALE
14	1	77420	OIL FILTER, 30 GPM, 6 MICRON

FIGURE 4 AXLE BASE & COMPONENTS

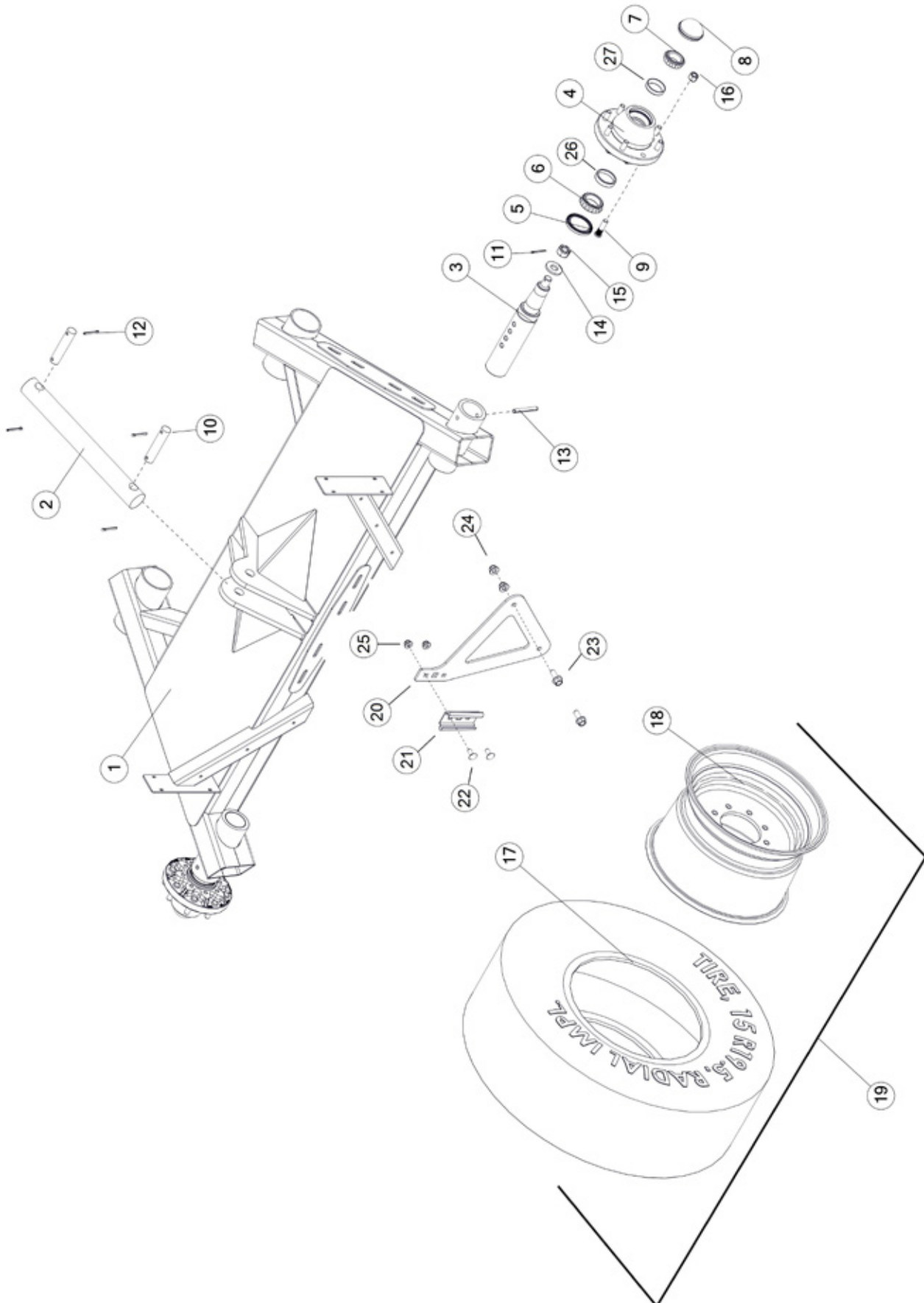


FIGURE 4

AXLE BASE & COMPONENTS

<u>ITEM</u>	<u>QTY</u>	<u>PART#</u>	<u>DESCRIPTION</u>
1	1	78988B	MERGER TAIL DECK
2	1	86333	CONNECTING LINK
3	2	78990	SPINDLE
4	2	PTMAS89	808 HUB WITH STUDS & RACES
5	2	60996	SEAL
6	2	8717	TAPERED ROLLER BEARING
7	2	8718	TAPERED ROLLER BEARING
8	2	8720	DUST CAP
9	2	YBSD20010	BOLT STUD, 5/8 X 2-1/2 G8
10	2	79251	CYL PIN
11	2	YPCT06020	COTTER PIN, 3/16 X 2
12	4	YPCT08007	COTTER PIN, 1/4 X 2
13	2	YPEX16020	EXPANSION PIN, 1/2 X 4
14	2	PTMHF128	808 SPINDLE WASHER
15	2	YNSL32005	NUT SLOT, 1-14 NA G2 NF
16	16	YNWL20005	NUT WHEEL, 5/8-18 NA G, ZC
17	2	71362	TIRE, BKT, 15 R19.5, RADIAL IMPL.
18	2	71365	WHEEL, 19.5X12.25, 8 BOLT, OFF WHITE
19	2	71366	15R19.5 RAD TIRE ON 19.5 X 12.25, 8 BOLT WHEEL
20	1	88254	SMV MOUNT
21	1	F97	SMV HOLDER
22	2	YBCR10030	BOLT CARRIAGE, 5/16 X 3/4
23	2	YBFB12003	BOLT FLANGED, 3/8 X 1
24	2	YNFG12006	NUT FLANGED, 3/8
25	2	YNFG10005	NUT FLANGED, 5/16
26	2	8714	INNER RACE
27	2	8715	OUTER RACE

FIGURE 5 **REAR FRAME & COMPONENTS**

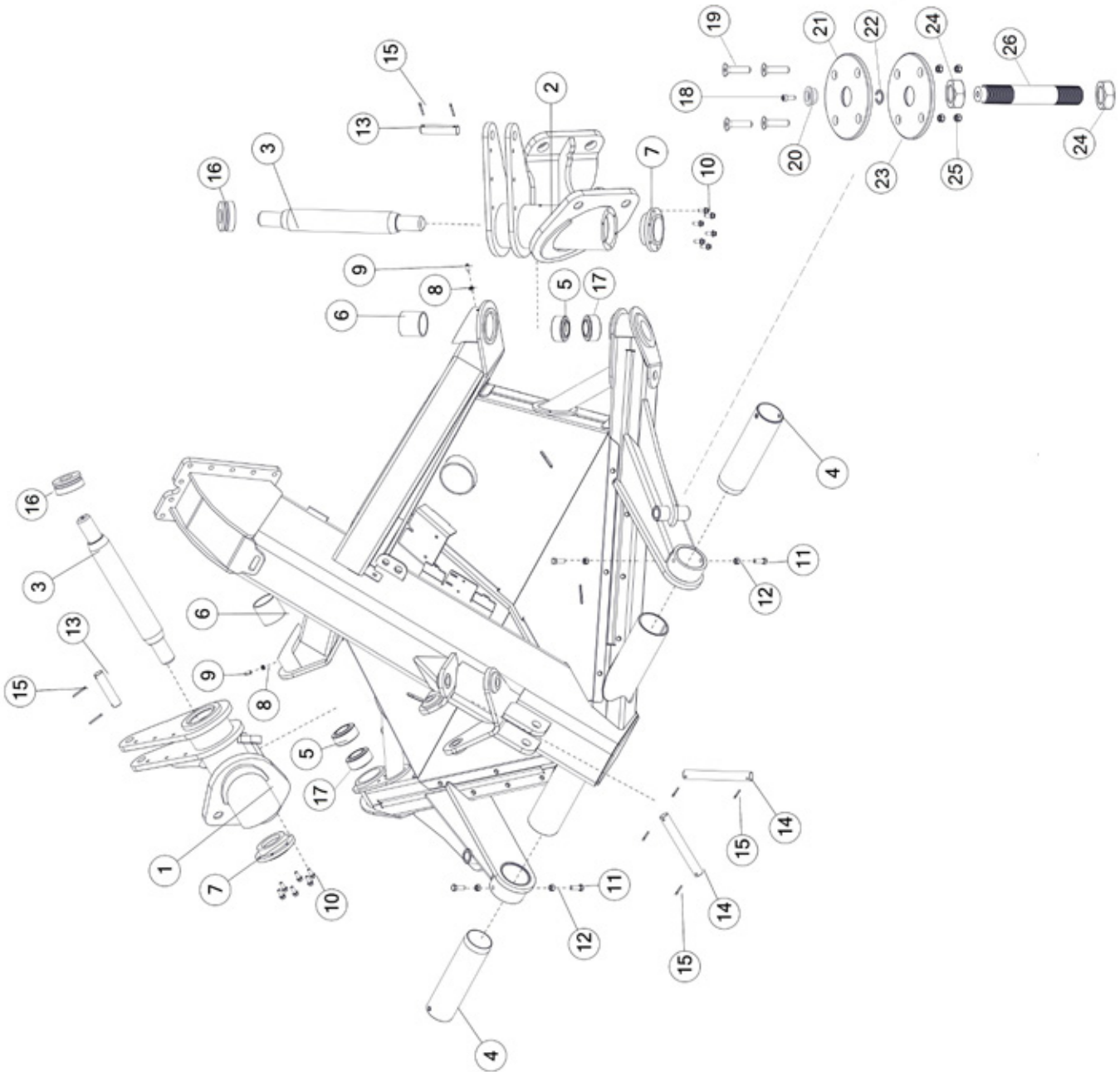


FIGURE 5

REAR FRAME & COMPONENTS

<u>ITEM</u>	<u>QTY</u>	<u>PART#</u>	<u>DESCRIPTION</u>
1	1	82604	PIVOT LH
2	1	82640	PIVOT RH
3	2	79095	ROUND PIVOT PIN
4	2	79071	ROUND TUBE, PIVOT SLEEVE
5	2	79590	SPHERICAL BEARING
6	2	PTMMS12	POLY BUSHING
7	2	82578	BEARING RACE
8	2	YNJM12005	NUT JAM, 3/8 A
9	2	YSSO12008	SET SCREW, 3/8 X 1
10	12	YBFB12003	BOLT FLANGE, 3/8 X 1 G5
11	4	YBHH16035	BOLT HEX, 1/2 X 1-1/2 G8
12	4	YNRL16005	NUT HEX, 1/2-13, LKRS, A, ZC
13	2	83843	CYLINDER PIN
14	2	86894	CYLINDER PIN
15	8	YPCT06015	COTTER PIN, 3/16 X 1-3/4
16	2	87030	BUSHING
17	2	87031	BUSHING
18	2	YSHS12010	BOLT SOCKET, 3/8 X 1
19	8	YSFS16011	BOLT FLAT SOK, 1/2 X 1-1/2
20	2	79534	LINKAGE PIN BUSHING
21	2	79765	POLY LANDING PAD
22	2	25G68	INTERNAL STANDARD SNAP RING
23	2	79764	SPACER PLATE
24	4	YNJM36006	NUT JAM, 1-1/4
25	8	YNFG16003	NUT FLANGE, 1/2
26	2	79727	THREADED ADJUSTER

FIGURE 6 **SIDE SHIELD & COMPONENTS**

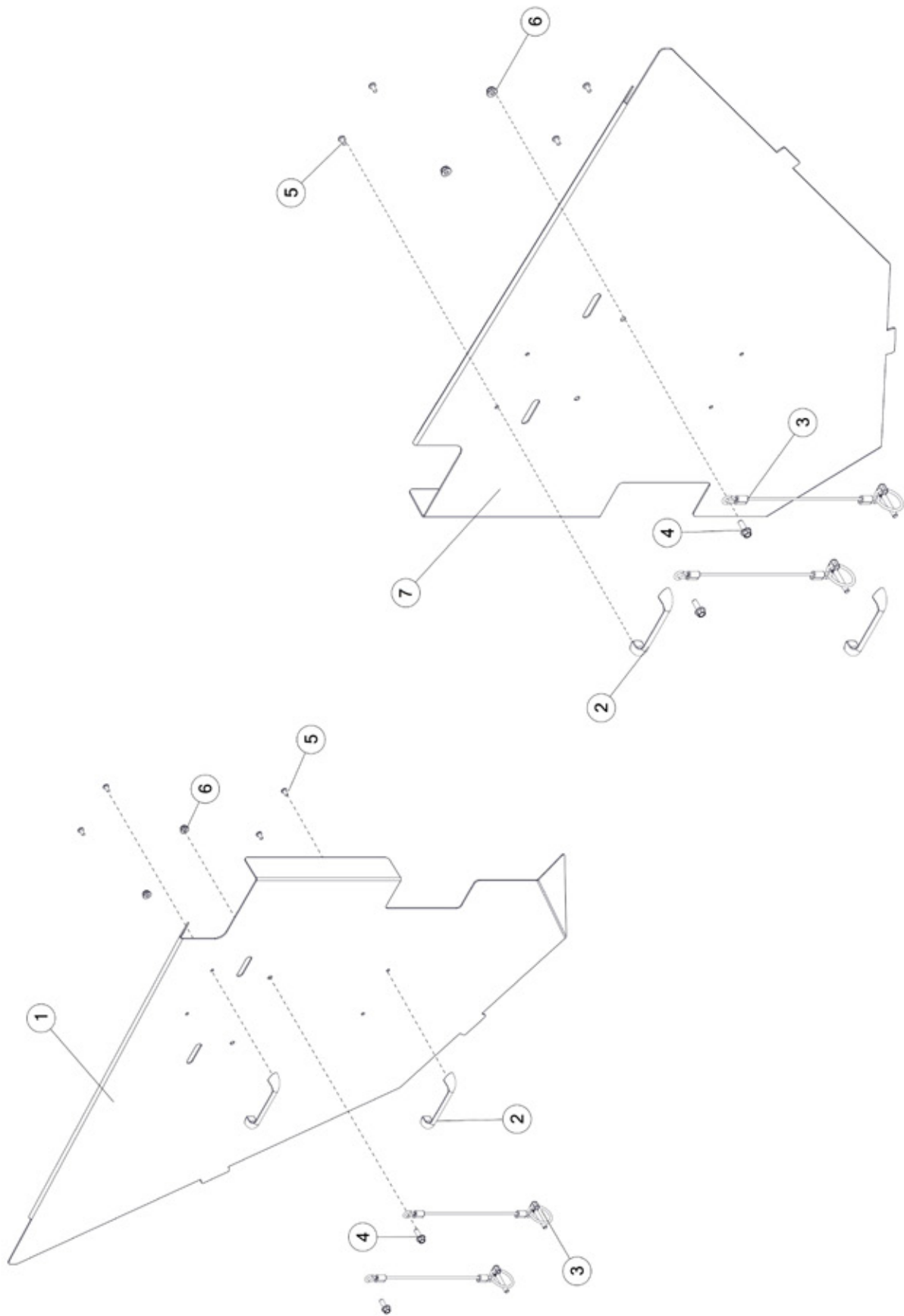


FIGURE 6
SIDE SHIELD & COMPONENTS

<u>ITEM</u>	<u>QTY</u>	<u>PART#</u>	<u>DESCRIPTION</u>
1	1	79651	SHIELD, MAIN FRAME RH
2	4	79671	PULL HANDLE, PLASTIC
3	4	S122	LANYARD, CLIP PIN CABLE
4	4	YBFB08075	BOLT FLANGE, 1/4 X 3/4 G5
5	8	YSPN64004	MACHINE PPHS, #10-24 X 3/8
6	4	YNFG08010	NUT FLANGE, 1/4 GF
7	1	79650	SHIELD, MAIN FRAME LH

FIGURE 7 SUSPENSION & COMPONENTS

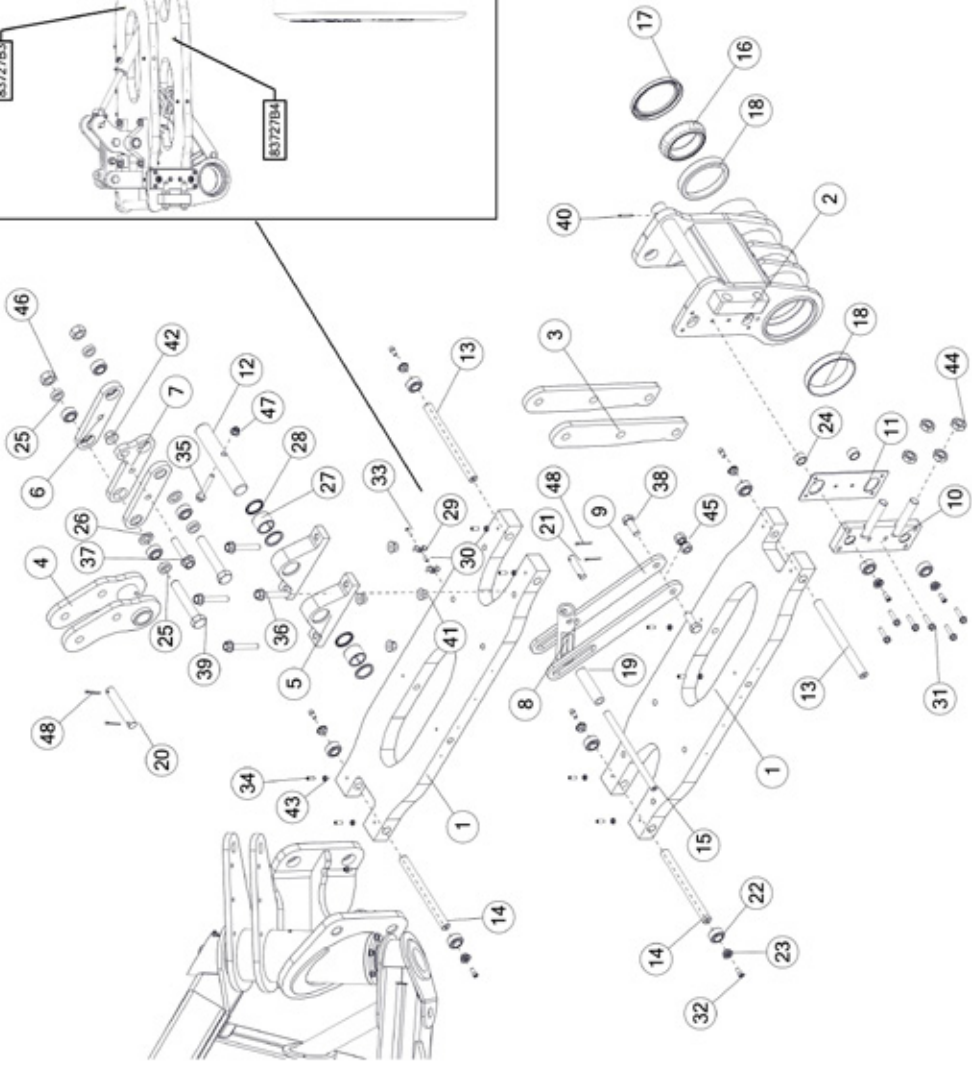
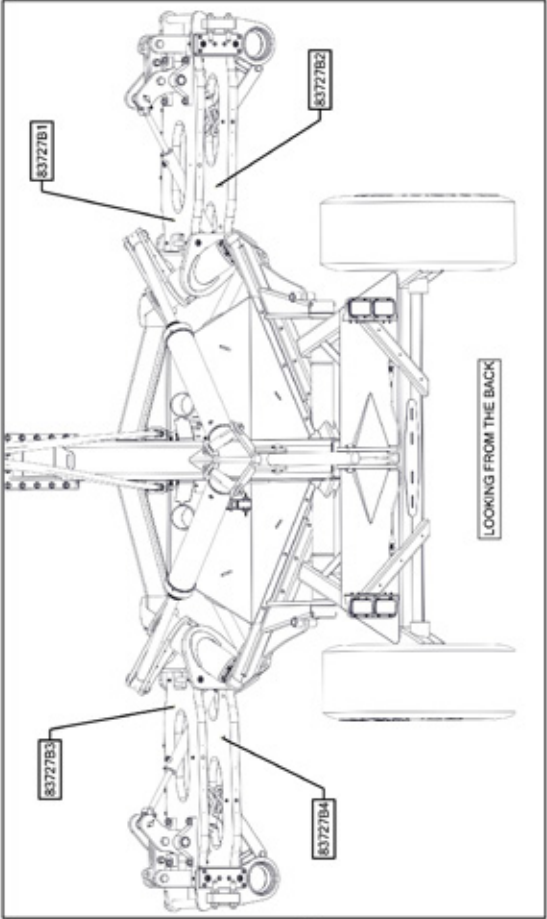


FIGURE 7

SUSPENSION & COMPONENTS

<u>ITEM</u>	<u>QTY</u>	<u>PART#</u>	<u>DESCRIPTION</u>
1	1	83727B1	SUSPENSION LINK
*	1	83727B2	SUSPENSION LINK
*	1	83727B3	SUSPENSION LINK
*	1	83727B4	SUSPENSION LINK
2	1	89550	KNUCKLE ASSEMBLY WITH RACE LH
*	1	89549	KNUCKLE ASSEMBLY WITH RACE RH
3	2	82351B	SPACER
4	1	82357	ROCKER ARM
5	2	79675	SHAFT PIVOT MOUNT
6	2	82350	BEARING STRUT
7	1	82362	LIFTING STRAP
8	1	89112	ROD CLEVIS ADAPTER
9	2	89115	LIMITING STRAP
10	1	89548	BEARING BLOCK ADJUSTER
11	1	89546	SPACER PLATE
12	1	82355	PIVOT SHAFT
13	2	82997	LINKAGE PIN, LONG
14	2	82998	LINKAGE PIN, SHORT
15	1	83864	MACHINED PIN
16	1	81880	TAPER BEARING, CONE, 4
17	1	81850	SEAL
18	1	82979	TAPER BEARING, CUP, 6.188
19	1	89111	PIN SLEEVE
20	1	83003	CYLINDER PIN
21	1	89118	CYLINDER PIN
22	12	79586	SPHERICAL BEARING
23	8	79534	LINKAGE PIN BUSHING
24	2	79538	SPACER, 0.76

***MEANS NOT SHOWN**

FIGURE 7 SUSPENSION & COMPONENTS

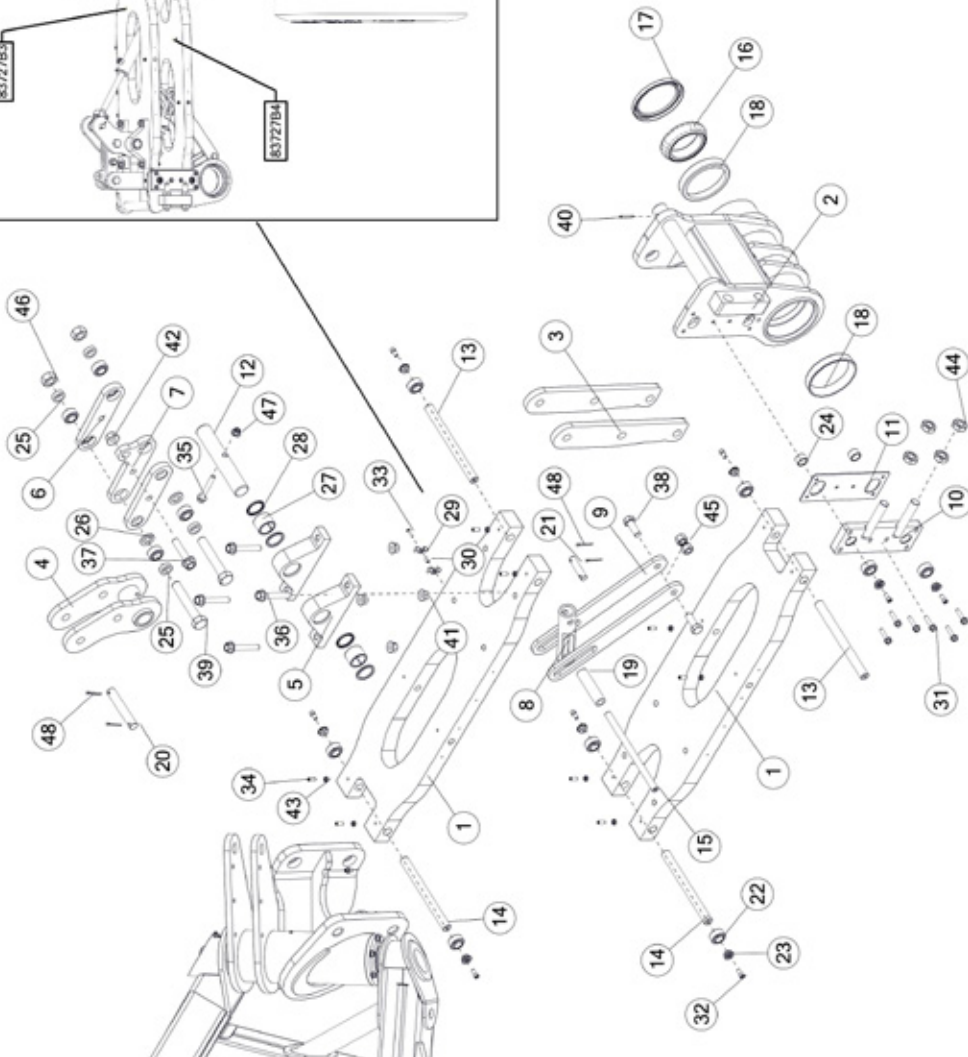
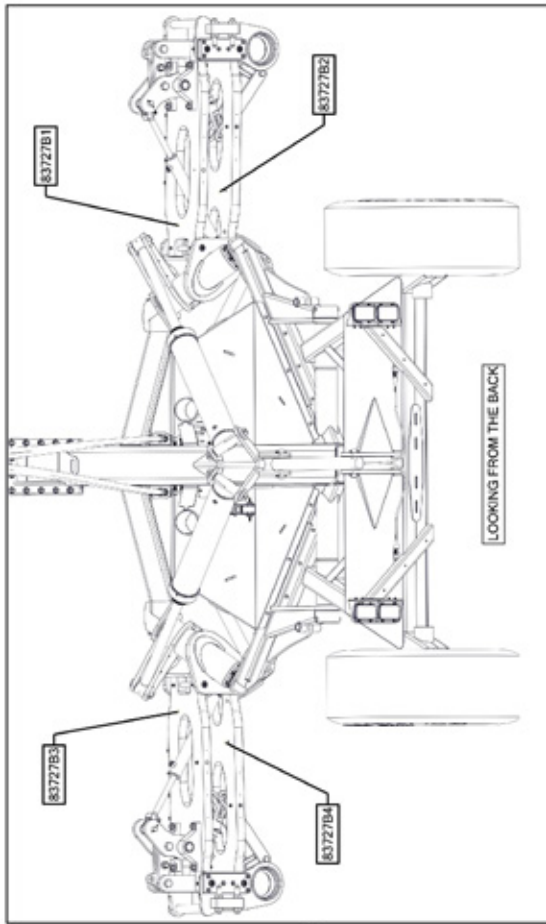


FIGURE 7

SUSPENSION & COMPONENTS

<u>ITEM</u>	<u>QTY</u>	<u>PART#</u>	<u>DESCRIPTION</u>
25	4	82369	SPACER
26	2	82370	SHIM
27	2	82320	NEEDLE ROLLER BEARING
28	4	82321	SEAL
29	8	83739	HOSE CLAMP
30	8	84273	SPACER
31	6	YBFB16175	BOLT FLANGE, 1/2 X 1-3/4 G5
32	8	YSHS12000	BOLT SOCKET, 3/8 X 3/4
33	8	YSPP64010	MACHINE SCREW, PAN HEAD PHILLIPS
34	8	YSSO12008	SET SCREW, 3/8 X 1
35	1	YBFB16350	BOLT FLANGE, 1/2 X 3-1/2 G5
36	4	YBFB20400	BOLT FLANGE, 5/8 X 4 G5
37	1	YBFB24350	BOLT FLANGE, 3/4 X 3-1/2 G5
38	2	YBHH24017	BOLT HEX, 3/4-16 X 2 G8
39	2	YBHH32026	BOLT HEX, 1 X 6 G8
40	1	YPEX08015	EXPANSION PIN, 1/4 X 1 3/4
41	4	YNFG20005	NUT FLANGE, 5/8
42	1	YNFG24006	NUT FLANGE, 3/4
43	8	YNJM12005	NUT JAM, 3/8 A
44	4	YNJM32005	NUT JAM, 1 A
45	2	YNNJ24005	NUT JAM, 3/4 G2
46	2	YNTL32005	NUT HEX, 1
47	1	YNFG16003	NUT FLANGE, 1/2
48	4	YPCT06015	COTTER PIN, 3/16 X 1-3/4

FIGURE 8 HEAD FRAME & COMPONENTS

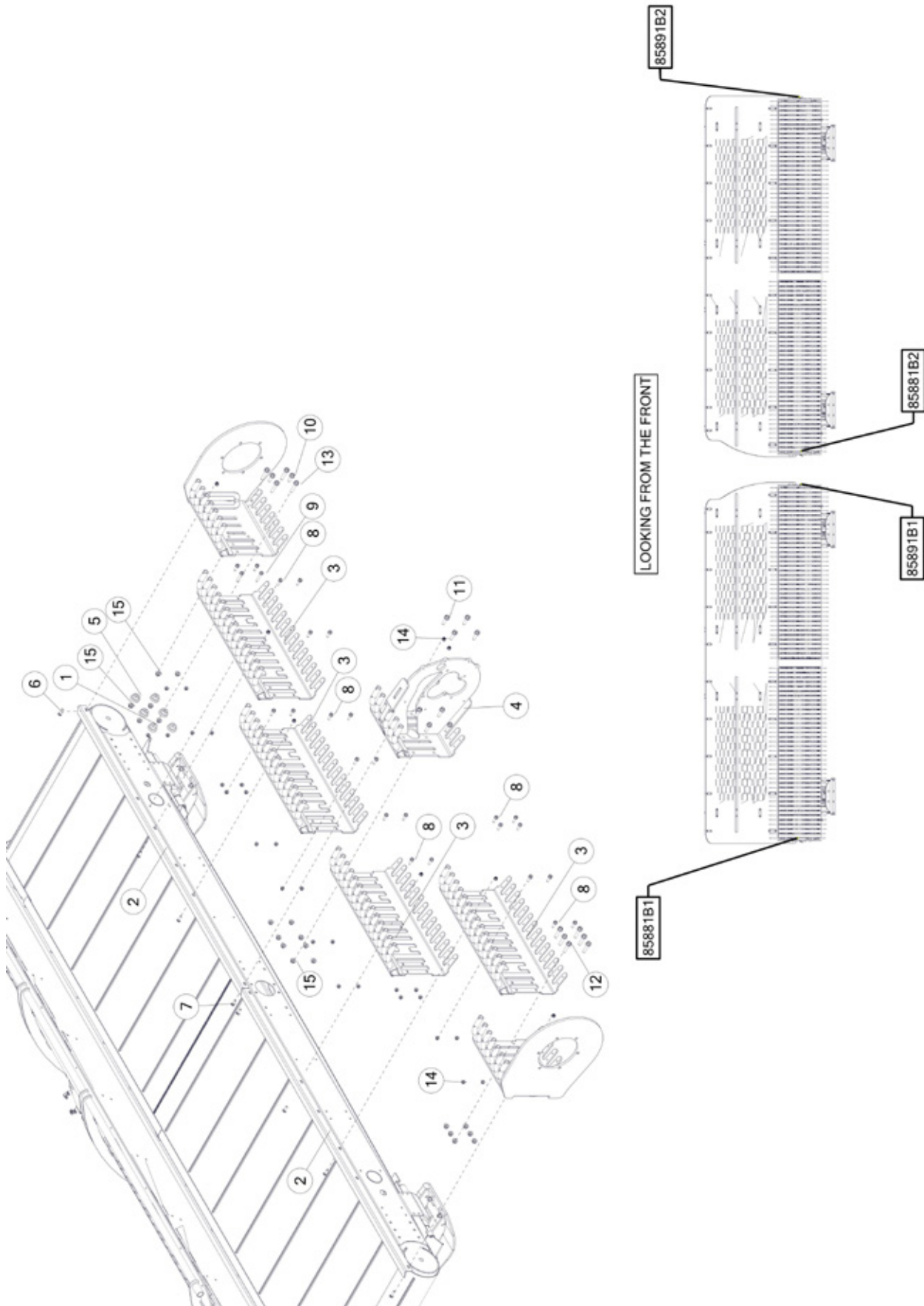


FIGURE 8

HEAD FRAME & COMPONENTS

<u>ITEM</u>	<u>QTY</u>	<u>PART#</u>	<u>DESCRIPTION</u>
1	1	85881	WLDMT, END CAP
2	1	85891	WLDMT, END CAP
3	4	85685	MOUNTING BRACKET
4	1	85863	WLDMT, CENTER CAM MOUNT
5	4	84054	BEARING BUSHING
6	2	YBCR12015	BOLT CARRIAGE, 3/8-16 X 1-1/2 G5 ZC
7	5	YBCR12020	BOLT CARRIAGE, 3/8-16 X 1-1/4 G5 ZC
8	2	YBFB12225	BOLT FLANGE, 3/8 X 2-1/4 G5
9	24	YBFB12125	BOLT FLANGE, 3/8 X 1-1/4 G5
10	2	YBFB16150	BOLT FLANGE, 1/2 X 1-1/2 G5
11	8	YBFB16175	BOLT FLANGE, 1/2 X 1-3/4 G5
12	1	YBFB16225	BOLT FLANGE, 1/2 X 2-1/4 G5
13	4	YBFB16250	BOLT FLANGE, 1/2 X 2-1/2 G5
14	16	YNFG12006	NUT FLANGE, 3/8 GF
15	4	YNFG16003	NUT FLANGE, 1/2 GF

FIGURE 9
REEL IDLER & COMPONENTS

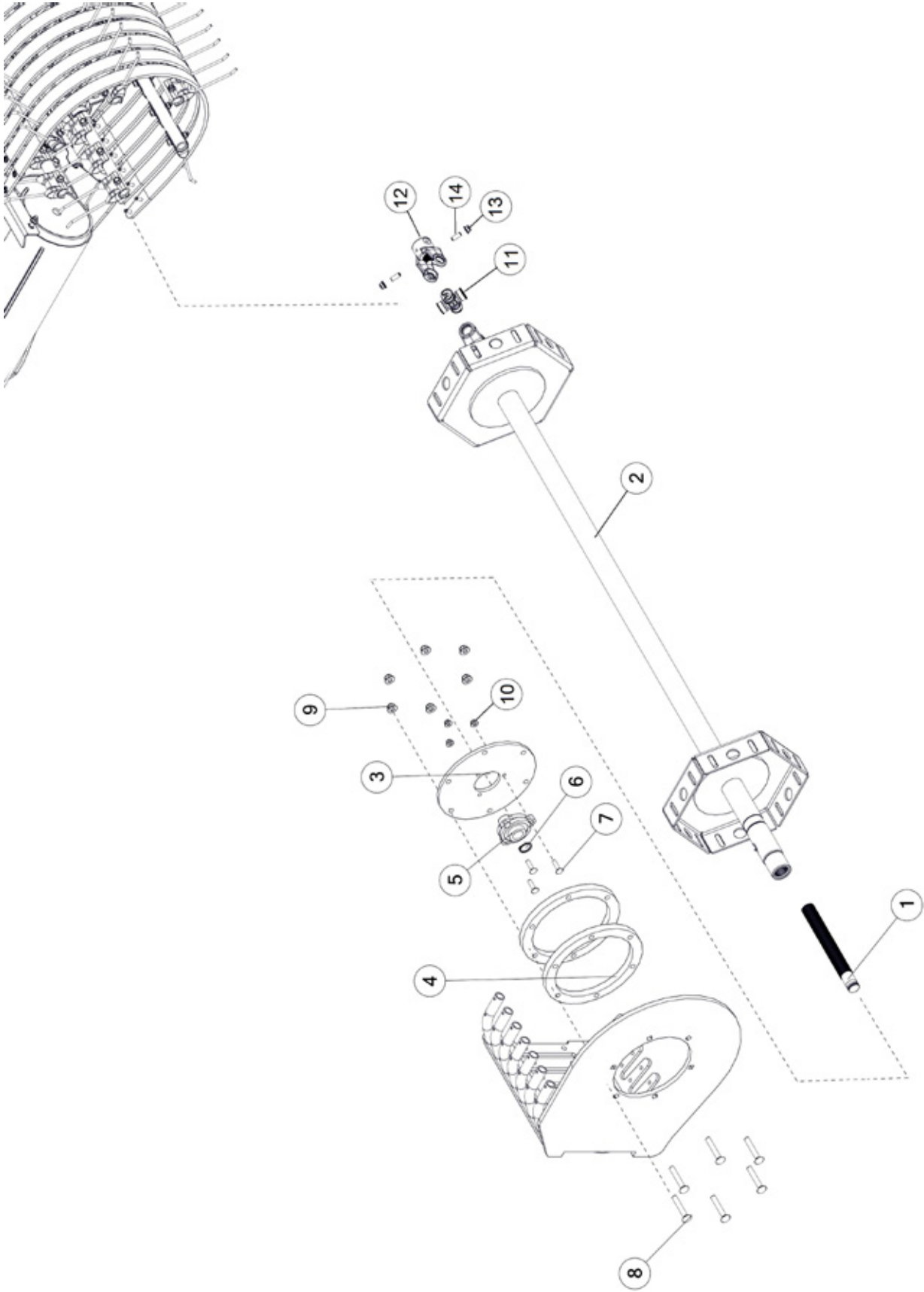


FIGURE 9

REEL IDLER & COMPONENTS

<u>ITEM</u>	<u>QTY</u>	<u>PART#</u>	<u>DESCRIPTION</u>
1	1	83646	SPLINE SHAFT
2	1	82305B	REEL
3	1	83407	REEL IDLER BEARING SPACER
4	1	83408	REEL IDLER BEARING, LARGE SPACER
5	2	TFM50	HEAD IDLER BEARING
6	1	F73	SNAP RING, 1-1/4
7	3	YBCR12015	BOLT CARRIAGE, 3/8 X 1-1/2 G5
8	6	YBCR16038	BOLT CARRIAGE, 1/2 X 3-1/4 G5
9	6	YNFG16003	NUT FLANGE, 1/2
10	3	YNFG12006	NUT FLANGE, 3/8
11	1	55858	CROSS KIT "E"
12	1	89174	YOKE, 1000 RPM
13	2	YNFG12006	NUT FLANGE, 3/8
14	2	YSKP12005	SCREW SET, SOCKET KNURLED CUP, 3/8 X 1

FIGURE 10
TINE BAR & COMPONENTS

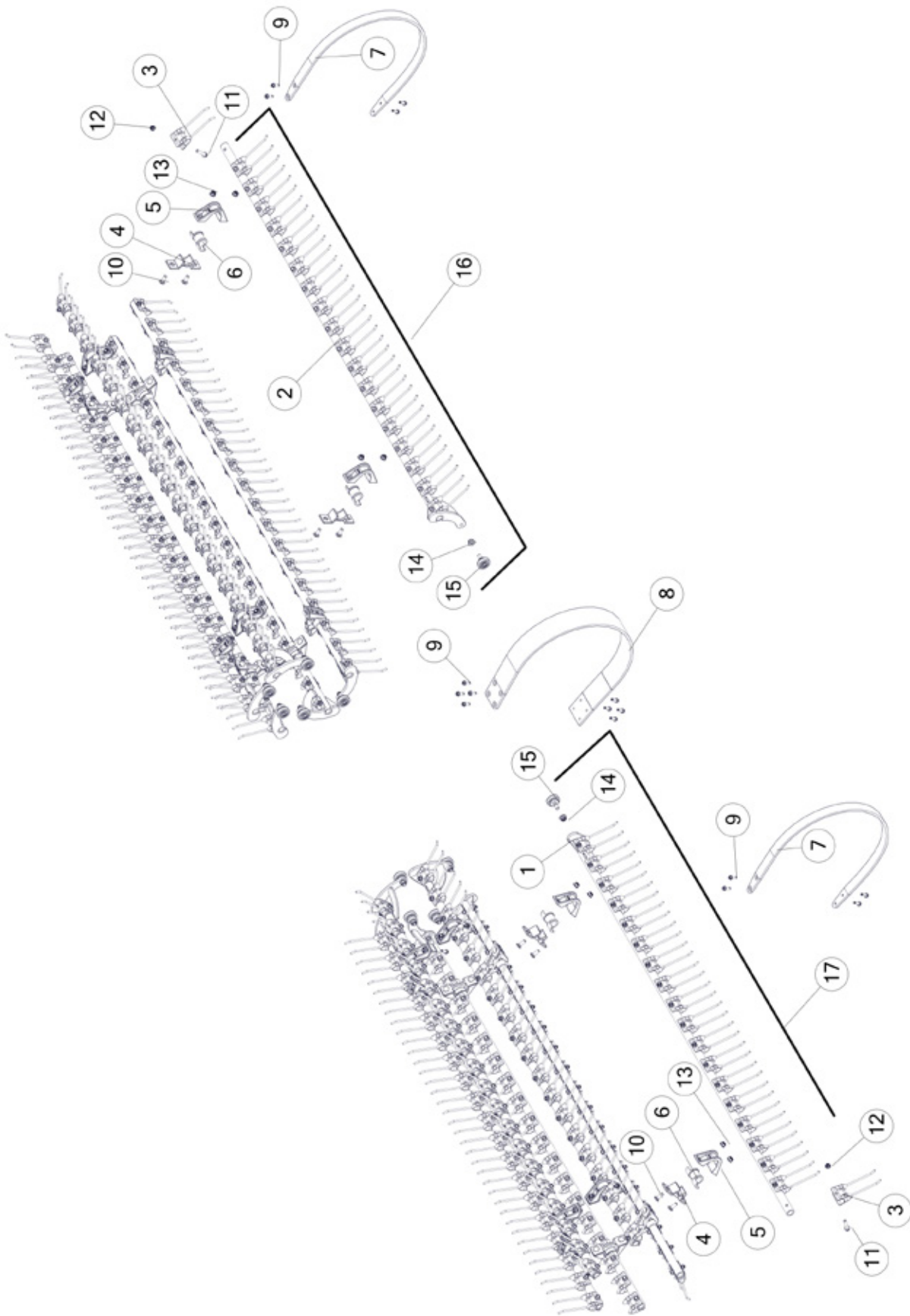


FIGURE 10

TINE BAR & COMPONENTS

<u>ITEM</u>	<u>QTY</u>	<u>PART#</u>	<u>DESCRIPTION</u>
1	6	81668	TINE BAR
2	6	81669	TINE BAR
3	228	SPMMS00	RUBBER TINE
4	48	SPMMS16	TINE BAR BEARING HOUSING BOTTOM, MOLDED
5	48	SPMMS17	TINE BAR BEARING HOUSING TOP, MOLDED
6	48	SPMMS18	TINE BAR WEAR SLEEVE
7	74	SPMMS13	HAY STRIPPER (INJECTION MOLDED)
8	1	SPMPL04	CENTER HAY STRIPPER
9	156	YSHW10005	SCREW, HWH TCS "F", 5/16-18 X 1
10	48	YBCR14005	BOLT CARRIAGE, FT, 7/16-14 X 1-1/4, A, ZC
11	228	YBFB12200	BOLT FLANGE, 3/8 X 2 G5
12	228	YNFG12006	NUT FLANGE, 3/8
13	48	YNFG14011	NUT FLANGE, 7/16
14	12	YNFG16003	NUT FLANGE, 1/2
15	12	85705	CAM BEARING
16	6	86239	TINE BAR ASSEMBLY & TEETH
17	6	86238	TINE BAR ASSEMBLY & TEETH

FIGURE 11
GEAR BOX

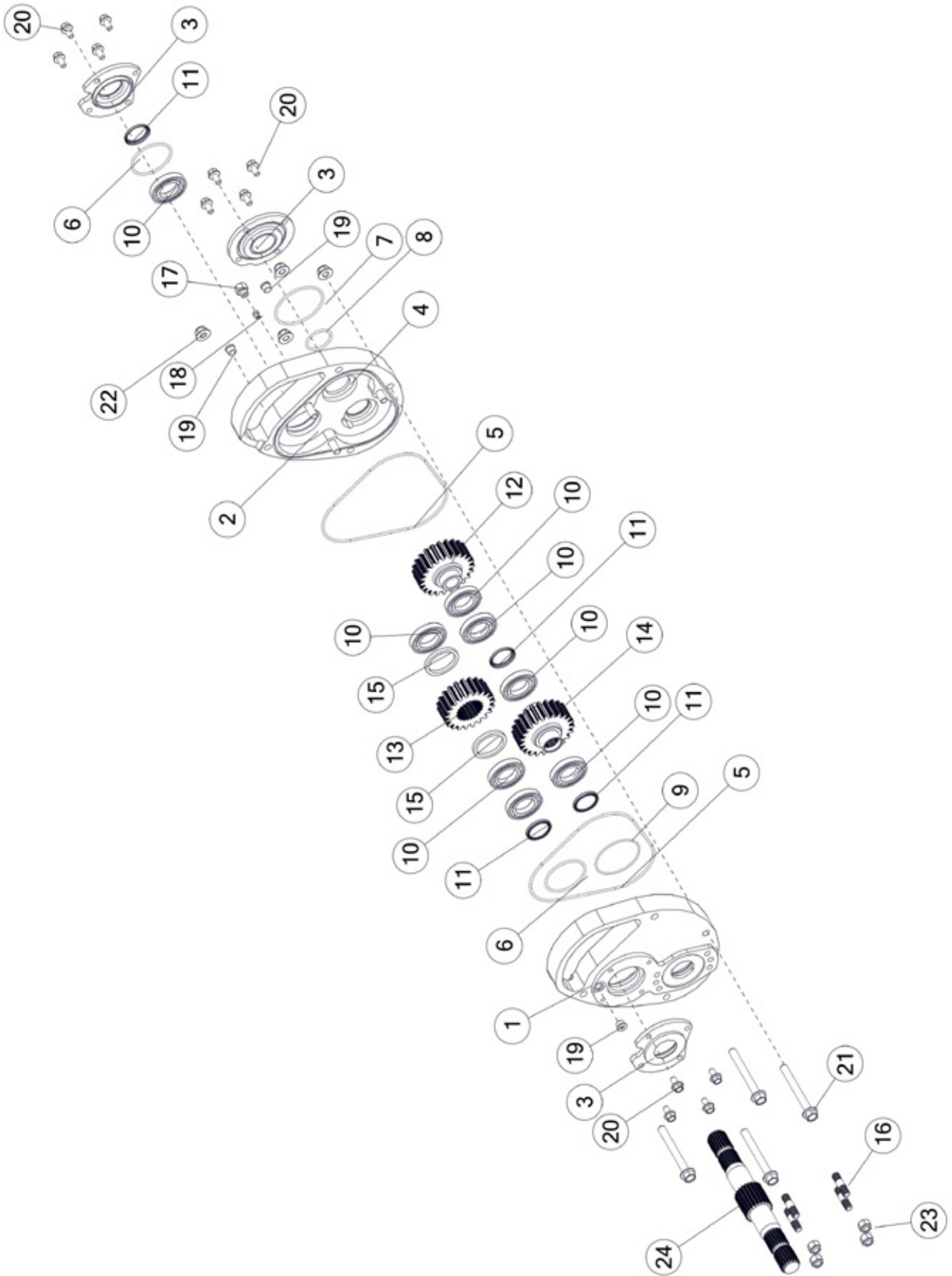


FIGURE 11 GEAR BOX

<u>ITEM</u>	<u>QTY</u>	<u>PART#</u>	<u>DESCRIPTION</u>
1	1	82185	MACHINED HOUSING
2	1	82186	MACHINED HOUSING
3	2	82411	BEARING HOUSING
4	1	82415	BLOCK OFF PLATE
5	2	82150	ORING, 1/8, 269
6	1	82151	ORING, 1/8, 233
7	1	82330	ORING, 1/8, 238
8	1	82332	ORING, 1/8, 224
9	1	82149	ORING, 3/32, 152
10	8	82142	BALL BEARING, 1-1/2
11	4	82148	SEAL
12	1	82165	IDLER SHAFT
13	1	82167	SPUR GEAR
14	1	82196	INPUT GEAR
15	2	82202	SPACER
16	4	82154	STUD
17	1	83394	FITTING STRAIGHT, 6 ORB, 1/8-27 NPT
18	1	G67	PLUG-VENT 1/8 27 NPT
19	2	SD270	HOLLOW HEX PLUG W/VALVE BODY
20	12	YBFB12075	BOLT FLANGE, 3/8 X 3/4 G5
21	4	YBFB16450	BOLT FLANGE, 1/2 X 4-1/2 G5
22	4	YNFG16003	NUT FLANGE, 1/2 GF
23	4	YNNY16005	NUT HEX, NYLON LOCKNUT, 1/2
24	1	82166	OUTPUT SHAFT

FIGURE 12 DRIVE ROLLER & COMPONENTS

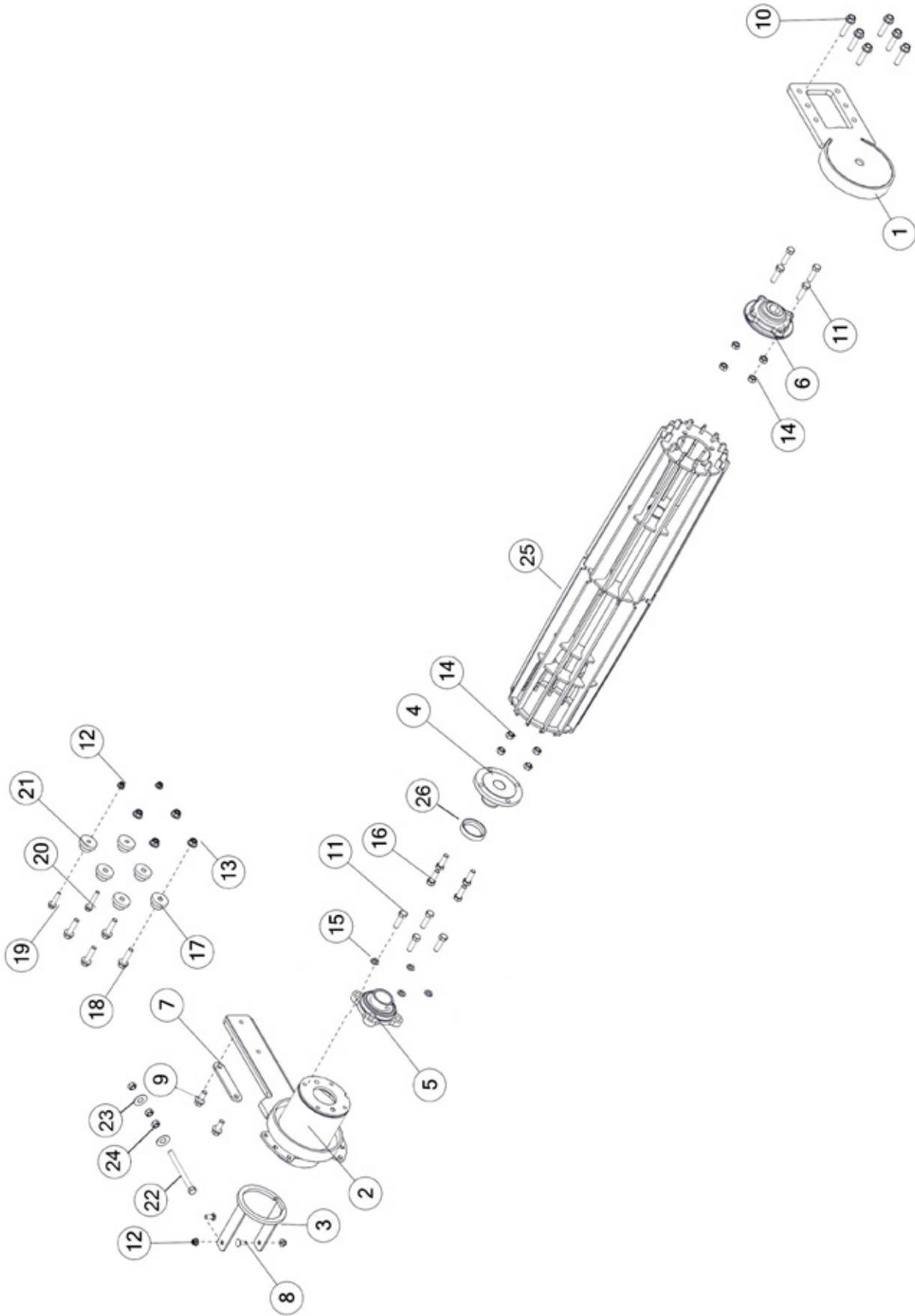


FIGURE 12

DRIVE ROLLER & COMPONENTS

<u>ITEM</u>	<u>QTY</u>	<u>PART#</u>	<u>DESCRIPTION</u>
1	1	82866	BEARING SUPPORT
2	1	82966	CROSS CONVEYER, DRIVE
3	1	83177	MOTOR HOLD DOWN BRACKET
4	1	83707	REEL DRIVE HUB
5	1	60135	MOTOR HOUSING BEARING
6	1	TFM45	IDLER BEARING
7	1	84034	CLAMP PLATE
8	2	YBCR12010	BOLT CARRIAGE, 3/8-16 X 1 G5 ZC
9	2	YBFB16125	BOLT FLANGE, 1/2 X 1-1/4 G5
10	6	YBFB16150	BOLT FLANGE, 1/2 X 1-1/2 G5
11	8	YBHH16055	BOLT HEX, 1/2-13 X 1-3/4 G5
12	4	YNFG12006	NUT FLANGE, 3/8 GF
13	4	YNFG16003	NUT FLANGE, 1/2 GF
14	8	YNL16005	NUT HEX, 1/2-13, LKTL, C, ZC
15	4	YWLO16005	WASHER, LOCK, 1/2
16	4	YBHH16030	BOLT, 1/2-13 X 1-1/2 G5
17	4	84054	BEARING BUSHING
18	4	YBFB16200	BOLT FLANGE, 1/2 X 2 G5
19	1	YBFB12175	BOLT FLANGE, 3/8 X 1-3/4 G5
20	1	YBFB12225	BOLT FLANGE, 3/8 X 2-1/4 G5
21	2	82850	BEARING BUSHING
22	1	YBHH16181	BOLT HEX 1/2 X 7
23	2	YWFL16005	WASHER FLAT, 1/2
24	3	YNJM16005	NUT JAM, 1/2
25	1	82863	ROLLER, FLUTED, A-SECTION
26	1	88924	SPACER

FIGURE 13 SKID SHOE & COMPONENTS

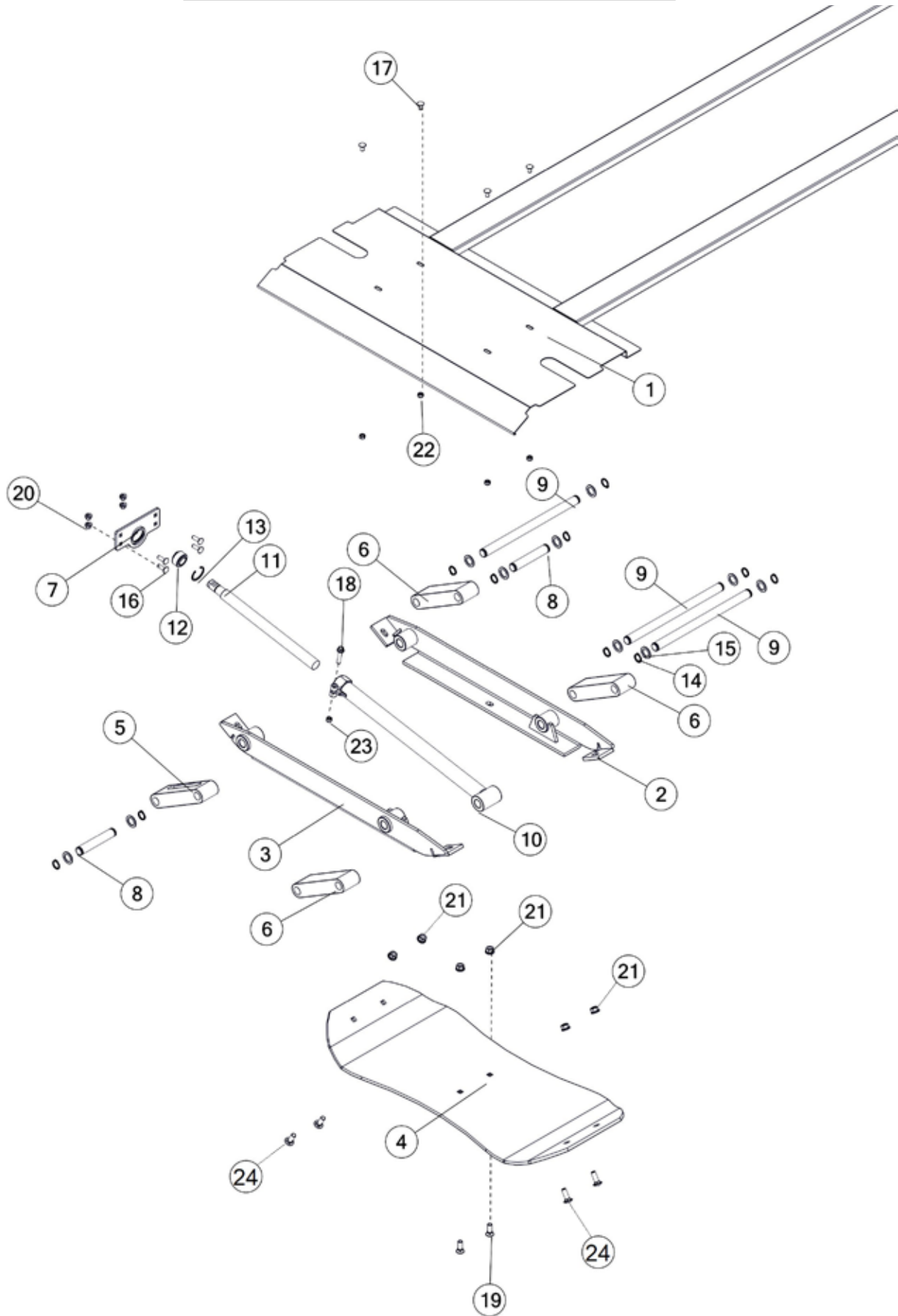


FIGURE 13

SKID SHOE & COMPONENTS

<u>ITEM</u>	<u>QTY</u>	<u>PART#</u>	<u>DESCRIPTION</u>
1	1	83077B	BELT PAN
2	1	71324	SHOE BRACKET A
3	1	71325	SHOE BRACKET B
4	1	71098	SKID SHOE LARGE
5	1	79706	SENSORED LINKAGE BRACKET
6	3	86578	SKID SHOE LINKAGE BRACKET
7	1	83944	ADJUSTER MOUNT
8	2	71058	PIN, TFM SHORT
9	3	71062	PIN, TFM LONG
10	1	83958	ADJUSTMENT ROD
11	1	83954	ADJUSTMENT ROD
12	1	79586	SPHERICAL BEARING
13	1	25G68	INTERNAL STANDARD SNAP RING, 1-3/4
14	10	3G21	SNAP RING, 1 HEAVY DUTY
15	10	YWFL32010	WASHER FLAT, 1-1/2 X 1
16	4	YBCR12020	BOLT CARRIAGE, 3/8 X 1-1/4 G5
17	4	YBCR12065	BOLT CARRIAGE, 3/8 X 3/4 G5
18	1	YBFB12200	BOLT FLANGE, 3/8 X 2 G5
19	6	YBPL16015	BOLT PLOW, 1/2 X 1-1/2 G5
20	4	YNFG12006	NUT FLANGE, 3/8
21	6	YNFG16005	NUT FLANGE, 1/2
22	4	YNRL12005	NUT HEX, 3/8
23	1	YNTL12005	NUT HEX, 3/8
24	8	YBCR16010	BOLT CARRIAGE, 1/2 X 1-1/2 G5

FIGURE 14
BELT & COMPONENTS

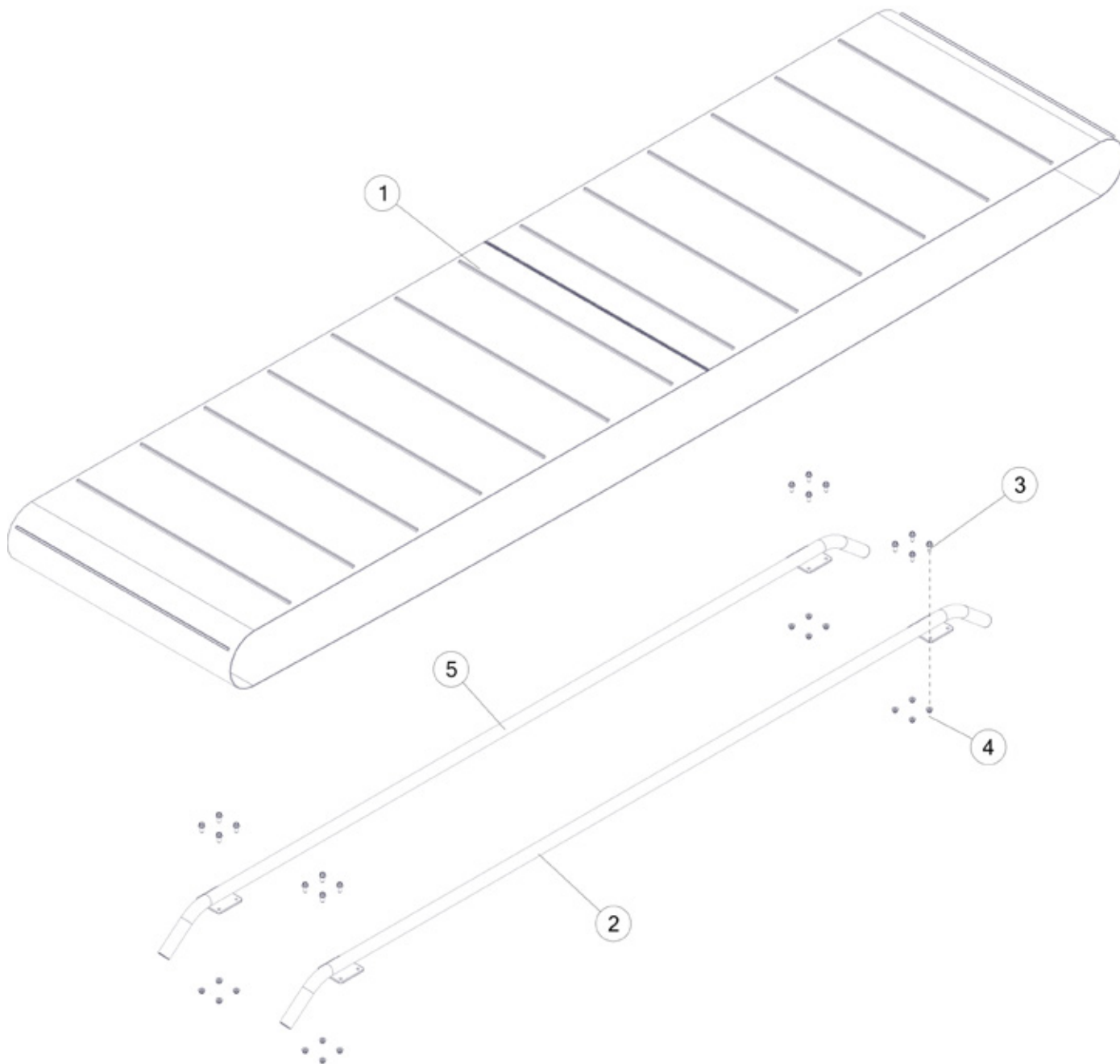


FIGURE 14
BELT & COMPONENTS

<u>ITEM</u>	<u>QTY</u>	<u>PART#</u>	<u>DESCRIPTION</u>
1	1	82803	CONVEYOR BELT
2	1	83007	BELT SUPPORT RAIL
3	16	YBFB12003	BOLT FLANGE, 3/8 X 1 G5
4	16	YNFG12006	NUT FLANGE, 3/8
5	1	86783	BELT SUPPORT RAIL
*	1	SWM37	LACING ROD
*	1	SWM38	LACING REPAIR CLIPS

***MEANS NOT SHOWN**

FIGURE 15 DEFLECTOR & COMPONENTS

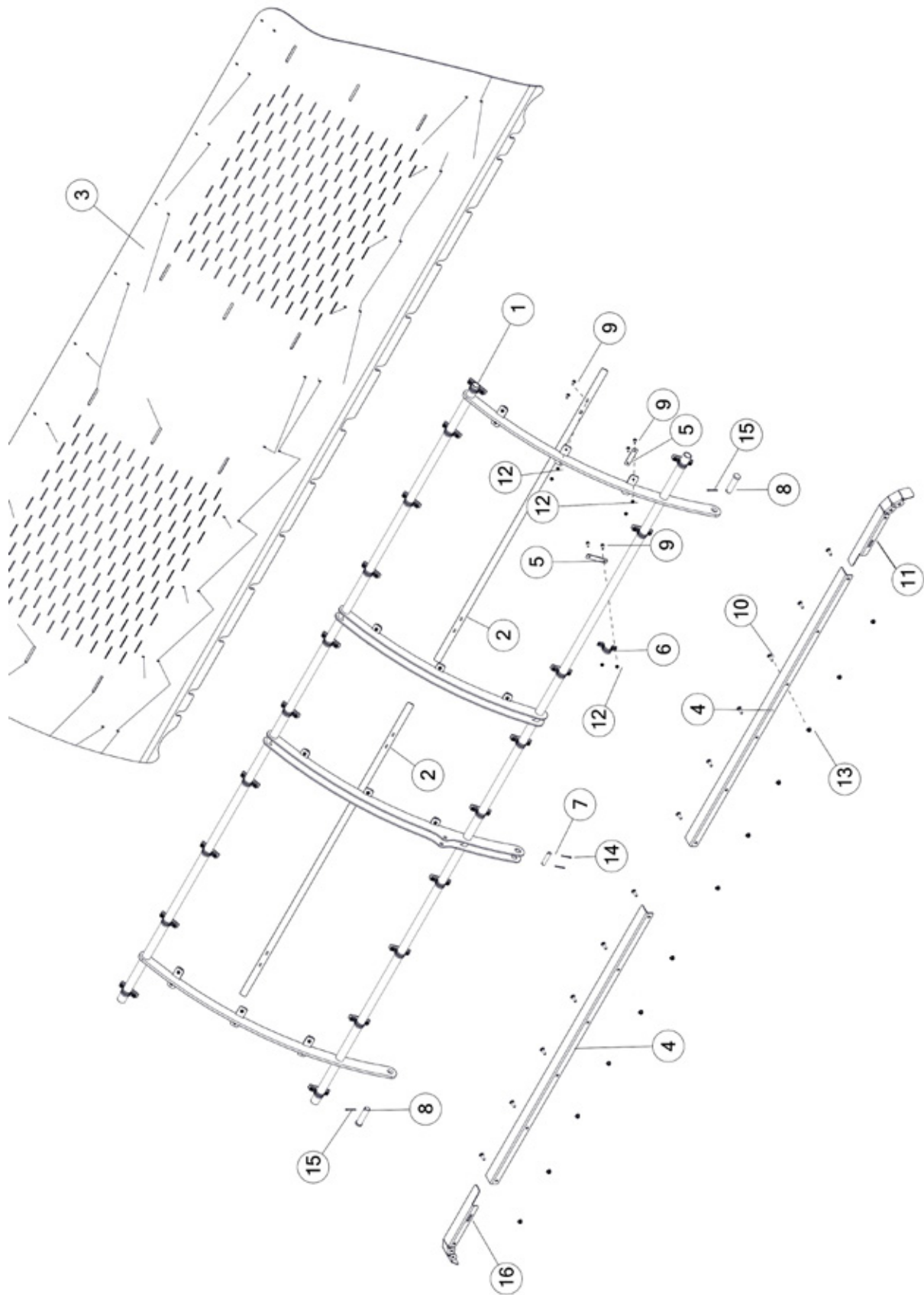


FIGURE 15

DEFLECTOR & COMPONENTS

<u>ITEM</u>	<u>QTY</u>	<u>PART#</u>	<u>DESCRIPTION</u>
1	1	86489	DEFLECTOR FRAME LH
*	1	86488	DEFLECTOR FRAME RH
2	2	84815	CLAMPING STRIP, LONG
3	1	86505	DEFLECTOR PANEL LH
*	1	86504	DEFLECTOR PANEL RH
4	2	84305	DEFLECTOR GUIDE PLATE
5	28	84178	CLAMP PLATE
6	20	84177	TUBE CLAMP
7	1	79558	CYLINDER PIN
8	2	86652	DEFLECTOR PIN
9	64	YBCR08005	BOLT CARRIAGE, 1/4 X 1 G5
10	12	YBCR12020	BOLT CARRIAGE, 3/8 X 1-1/4 G5
11	1	85991	BELT GUARD
12	64	YNFG08010	NUT FLANGE, 1/4
13	12	YNFG12006	NUT FLANGE, 3/8
14	2	YPCT05010	COTTER PIN, 5/32 X 1-1/2
15	2	YPCT06015	COTTER PIN, 3/16 X 1-3/4
16	1	85988	BELT GUARD

***MEANS NOT SHOWN**

FIGURE 16
HEAD LOCK BRACKET & COMPONENTS

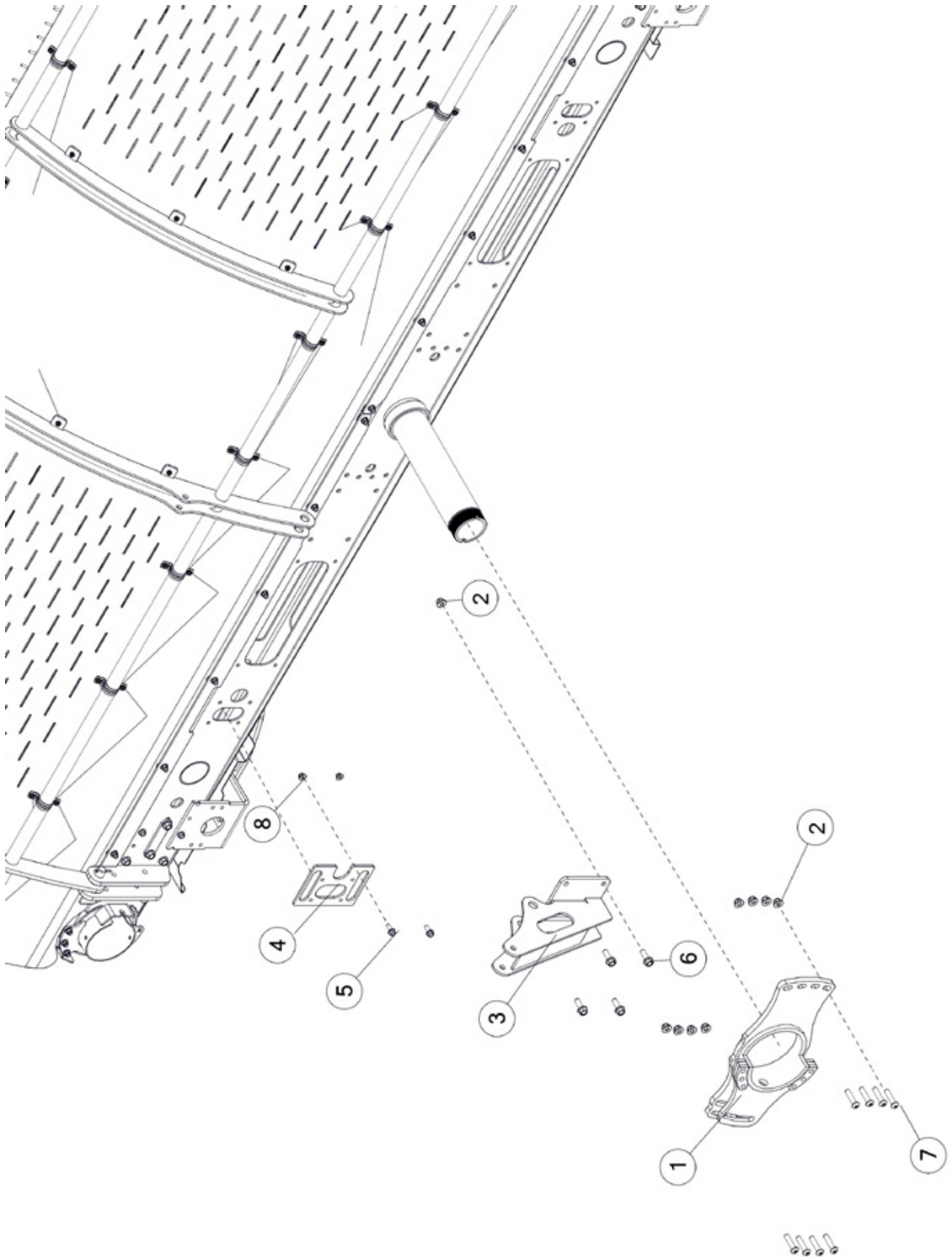


FIGURE 16
HEAD LOCK BRACKET & COMPONENTS

<u>ITEM</u>	<u>QTY</u>	<u>PART#</u>	<u>DESCRIPTION</u>
1	1	85242	LOCKING BRACKET LH
*	1	85245	LOCKING BRACKET RH
2	12	YNFG16003	NUT FLANGE, 1/2 GF
3	1	83920	CYLINDER MOUNT LH
4	1	83941	BACKER PLATE
5	4	YBFB12003	BOLT FLANGE, 3/8 X 1 G5
6	4	YBFB16150	BOLT FLANGE, 1/2 X 1-1/2 G5
7	8	YBFB16200	BOLT FLANGE, 1/2 X 2 G5
8	4	YNFG12006	NUT FLANGE, 3/8 GF

***MEANS NOT SHOWN**

FIGURE 17
MAIN POLE HYDRAULIC

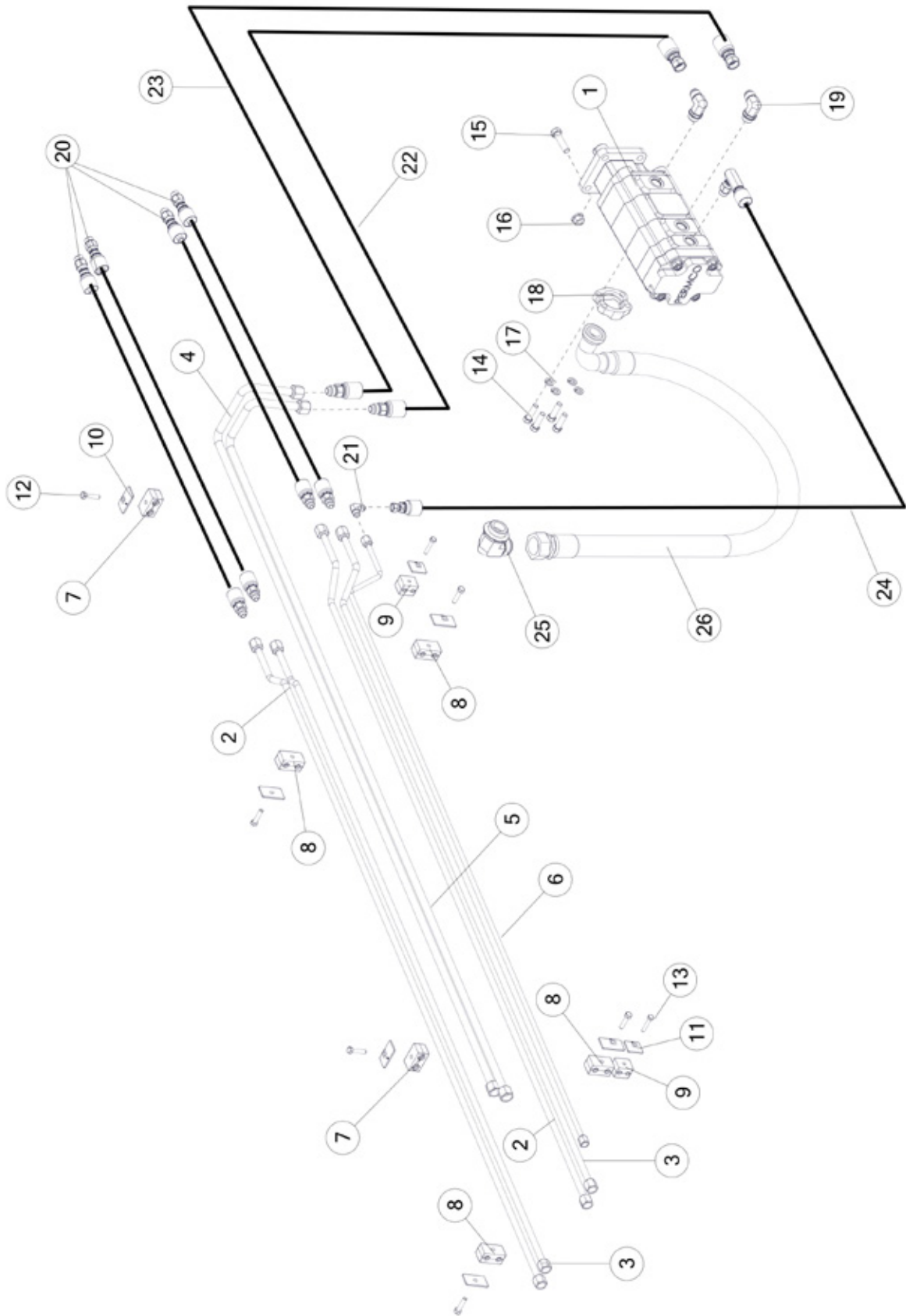


FIGURE 17

MAIN POLE HYDRAULIC

<u>ITEM</u>	<u>QTY</u>	<u>PART#</u>	<u>DESCRIPTION</u>
1	1	83686	HYD PUMP, 3 STAGE
2	2	79234	HYD TUBE
3	2	79242	HYD TUBE
4	1	79231	HYD TUBE
5	1	79233	HYD TUBE
6	1	79241	HYD TUBE
7	2	82667	HOSE CLAMP, DOUBLE, 5/8 TUBE
8	4	TS118	LINE CLAMP BLOCK (PART OF T2008S)
9	2	56597	HOSE CLAMP, DOUBLE, 3/8 TUBE
10	6	56563	CLAMP TOP PLATE
11	2	CHM277	T1 HOSE CLAMP COVER
12	6	56568	CLAMP BOLT 5/16-18 x 1-3/8
13	2	CHM272	CLAMP BOLT, 1/4 X 1-1/2"
14	4	YBHH14007	BOLT HEX, 7/16 X 1-1/2 G5
15	4	YBHH16070	BOLT HEX, 1/2 X 2 G8
16	4	YNFG16005	NUT FLANGE, 1/2-13 LKTL G ZC
17	4	YWLO14005	WASHER, LOCK, 7/16, ZINC
18	2	TFM37	CODE 61-20 SPLIT FLANGE
19	2	GM56	FITTING, 90, 10JIC X 10ORB
20	4	83702	HYDRAULIC HOSE, 8, 114IN
21	1	83713	FITTING 90, -6 JIC, -6 JIC
22	1	83938	HYD HOSE, 10, 53.0IN
23	1	83936	HYD HOSE, 10, 47.0IN
24	1	83715	HYD HOSE, 8, 51.0IN
25	1	79387	FITTING, 90, 20JIC X 20ORB
26	1	79345	HYD HOSE, 20, 50.0IN

***MEANS NOT SHOWN**

FIGURE 18
UNFOLD HYDRAULICS

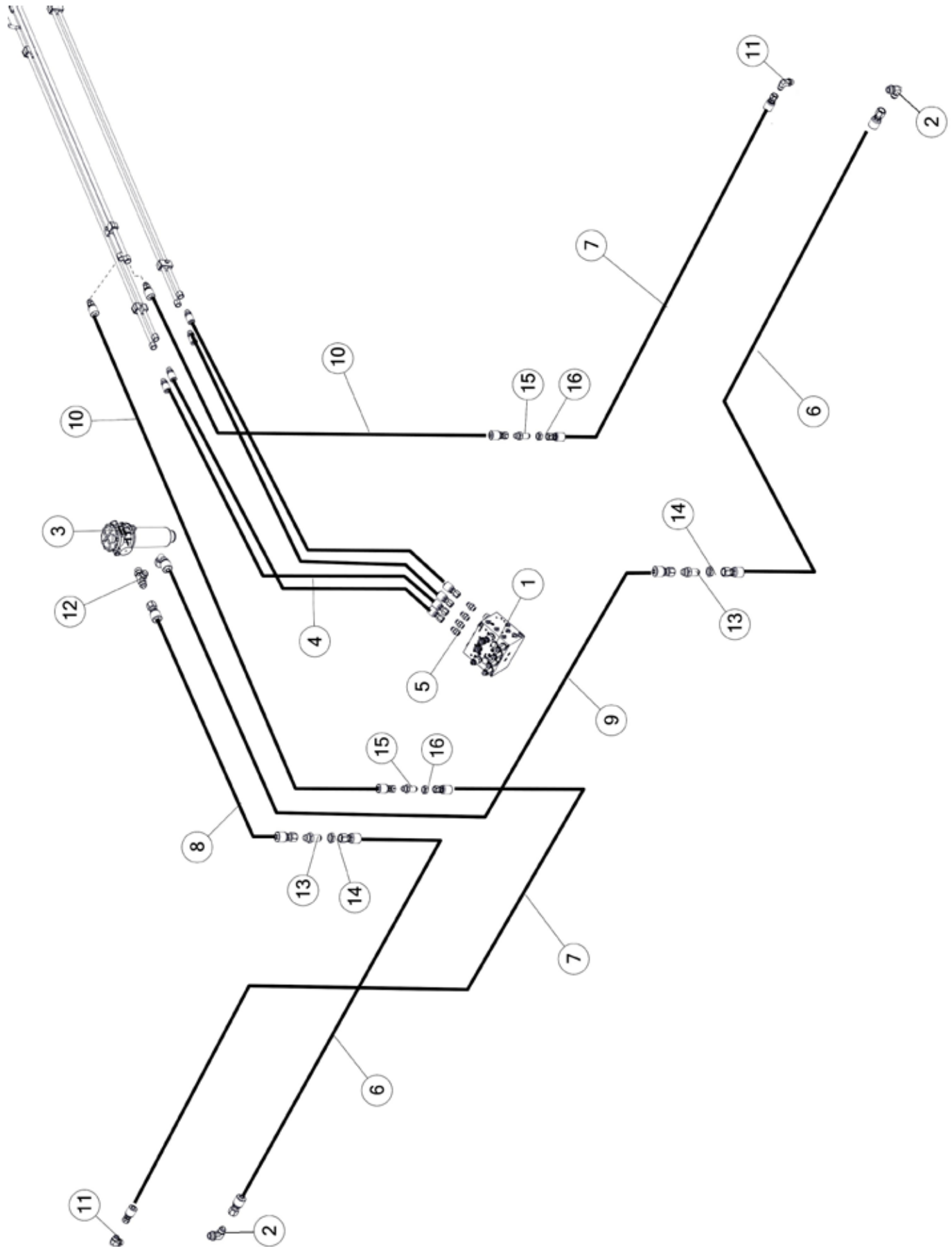


FIGURE 18

UNFOLD HYDRAULICS

<u>ITEM</u>	<u>QTY</u>	<u>PART#</u>	<u>DESCRIPTION</u>
1	1	85730	HYDRAULIC MANIFOLD, FOLD UNFOLD
2	2	CHM194	STRAIGHT THREAD ELBOW
3	1	76187	IN TANK FILTER
4	4	79296	HYDRAULIC HOSE, 8, 55 IN
5	4	TS137	FTG, ST, 8JIC, 8ORB, STL
6	2	84286	HYDRAULIC HOSE, 12, 166IN
7	2	84287	HYDRAULIC HOSE, 10, 166IN
8	1	86605	HYDRAULIC HOSE, 12, 58IN
9	1	86606	HYDRAULIC HOSE, 12, 60IN
10	2	86672	HYDRAULIC HOSE, 10, 92IN
11	2	GM56	MALE ELBOW 37° / ORB 10 C5OX-S
12	1	83760	FITTING TEE, 12 JIC, 16 ORB, 12 JIC
13	2	84023	FITTING STRAIGHT, 12 JIC, 12 JIC
14	2	84024	JAM NUT HEX, -12 JIC
15	2	84025	FITTING STRAIGHT, 10 JIC, 10 JIC
16	2	84026	JAM NUT HEX, -10 JIC

FIGURE 19 SUSPENSION HYDRAULICS

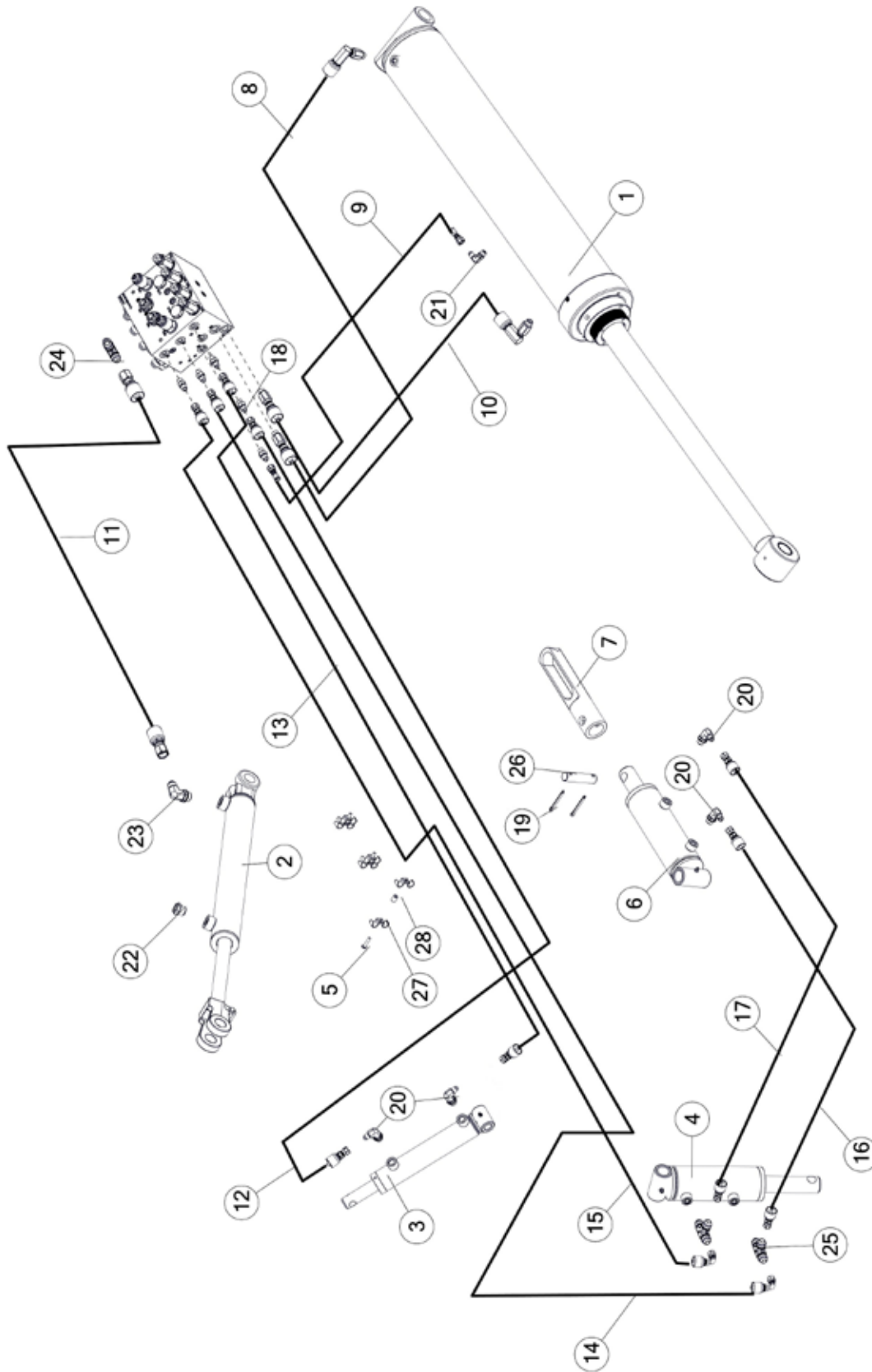


FIGURE 19

SUSPENSION HYDRAULICS

<u>ITEM</u>	<u>QTY</u>	<u>PART#</u>	<u>DESCRIPTION</u>
1	1	83348	HYDRAULIC CYLINDER, 5 X 23
*	1	87433	SEAL KIT
2	1	83417	HYDRAULIC CYLINDER. 2 X 16
*	1	87435	SEAL KIT
3	1	85918	HYDRAULIC CYLINDER, 1-1/2 X 6
*	1	87436	SEAL KIT
4	1	86564	HYDRAULIC CYLINDER, 2-1/2 X 3
*	1	87434	SEAL KIT
5	3	YSPP64010	SCREW, PHILLIPS MACHINE HEAD, #10-32 X 1
6	1	78834	HYDRAULIC CYLINDER, 2-1/2 X 4
*	1	87434	SEAL KIT
7	1	89112	ROD CLEVIS ADAPTER
8	1	86374	HYDRAULIC HOSE, 6, 56IN
9	1	83354	HYDRAULIC HOSE, 4, 30IN
10	1	86372	HYDRAULIC HOSE, 6, 28IN
11	1	84284	HYDRAULIC HOSE, 8, 120IN
12	1	86685	HYDRAULIC HOSE, 4, 134IN
13	1	86680	HYDRAULIC HOSE, 4, 137IN
14	1	86686	HYDRAULIC HOSE, 4, 137IN
15	1	86687	HYDRAULIC HOSE, 4, 134IN
16	1	86697	HYDRAULIC HOSE, 4, 16IN
17	1	86699	HYDRAULIC HOSE, 4, 24IN
18	5	58094	FITTING, ST, 4JIC, 4ORB, STL
19	2	YPCT06015	COTTER PIN, 3/16 X 1-3/4
20	4	71281	MALE ELBOW 37° / ORB
21	1	GM30	MALE ELBOW 37° ORB
22	1	TFM92	SAE 8 O-RING 40 MICRON BREATHER CAP
23	1	TS135	FITTING, 8-C5OX-S
24	1	81311	FITTING TEE, 8 JIC, 8 JIC, 8 JIC, STL
25	2	83280	FITTING TEE, 1/4 JIC, 3/8 ORB, 1/4 JIC
26	1	89118	CYLINDER PIN
27	6	83739	HOSE CLAMP
28	3	84273	SPACER

***MEANS NOT SHOWN**

FIGURE 20 **HYDRAULIC MOTOR & COMPONENTS**

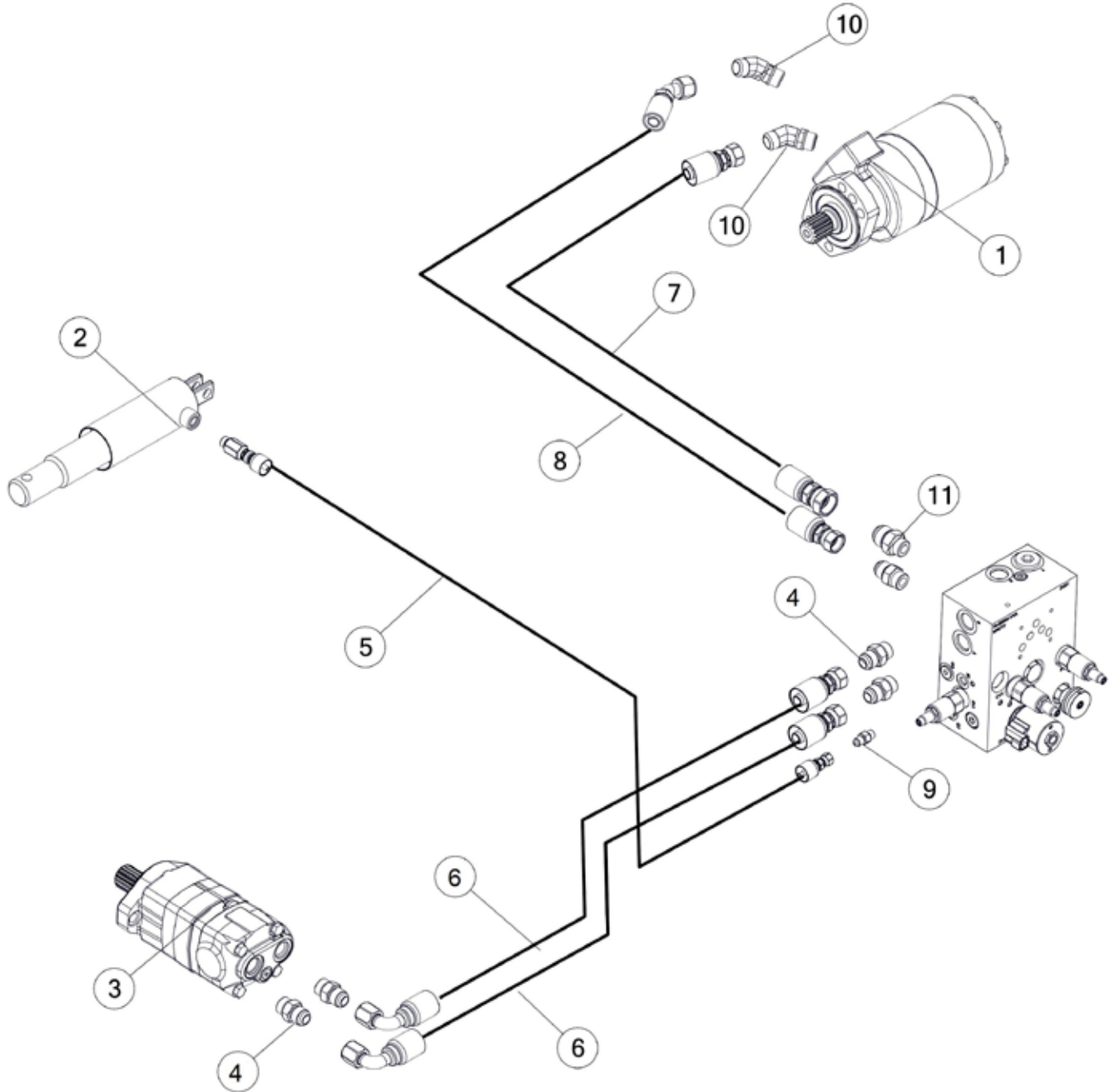


FIGURE 20

HYDRAULIC MOTOR & COMPONENTS

<u>ITEM</u>	<u>QTY</u>	<u>PART#</u>	<u>DESCRIPTION</u>
1	1	82161	HYDRAULIC MOTOR
2	1	76236	CYD, HYD, 2 X 2-3/4, DISPLACEMENT
3	1	81763	HYDRAULIC MOTOR
4	5	GM57	FITTING STRAIGHT, 10JIC, 10ORB, STL
5	1	84243	HYDRAULIC HOSE, 4, 56.0IN
6	2	84245	HYDRAULIC HOSE, 10, 168IN
7	1	84351	HYDRAULIC HOSE, 10, 120IN
8	1	84354	HYDRAULIC HOSE, 10, 120IN
9	1	58094	FITTING STRAIGHT, 4JIC, 4ORB, STL
10	2	CHM175	FITTING 45, 10JIC X 10ORB
11	1	GM21	FITTING STRAIGHT, 12JIC, 10ORB, STL

FIGURE 21
HYDRAULIC VALVE

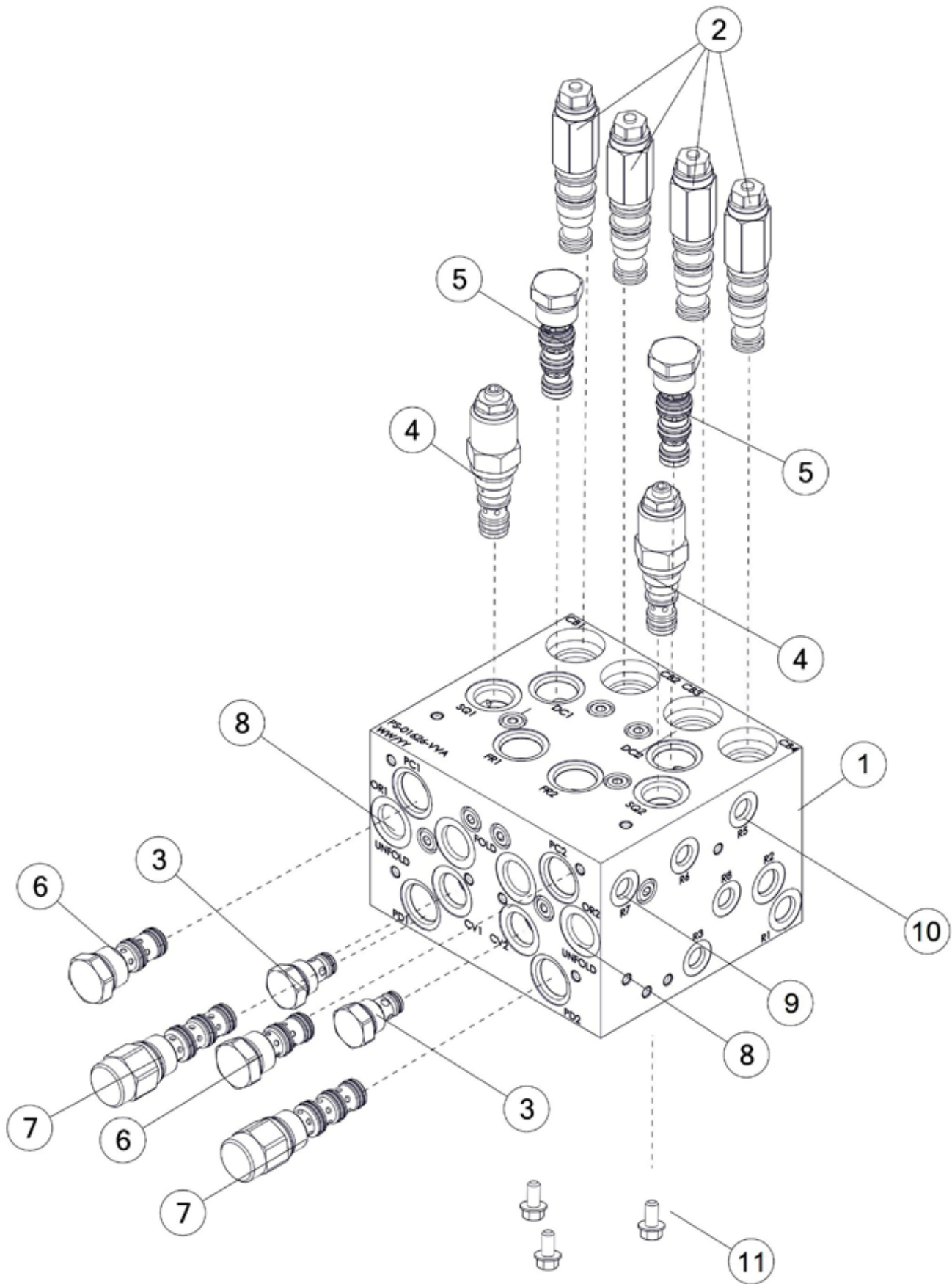


FIGURE 21
HYDRAULIC VALVE

<u>ITEM</u>	<u>QTY</u>	<u>PART#</u>	<u>DESCRIPTION</u>
1	1	85895	MANIFOLD BLOCK
2	4	78863	COUNTER BALANCE
3	2	79214	HYDRAULIC VALVE, CHECK
4	2	80141	HYDRAULIC VALVE, SEQUENCE
5	2	85899	HYDRAULIC VALVE, PO CHECK
6	2	85901	HYDRAULIC VALVE, CHECK
7	1	85902	HYDRAULIC VALVE, DIRECTIONAL
8	2	86796	1 WAY ORIFICE
9	1	86841	ORIFICE PLATE, 4 SAE, .078
10	1	86840	ORIFICE PLATE, 4 SAE, .04
11	3	YNFB12075	BOLT FLANGE, 3/8 x 3/4 G5

FIGURE 22
ACCUMULATOR & HYDRAULIC

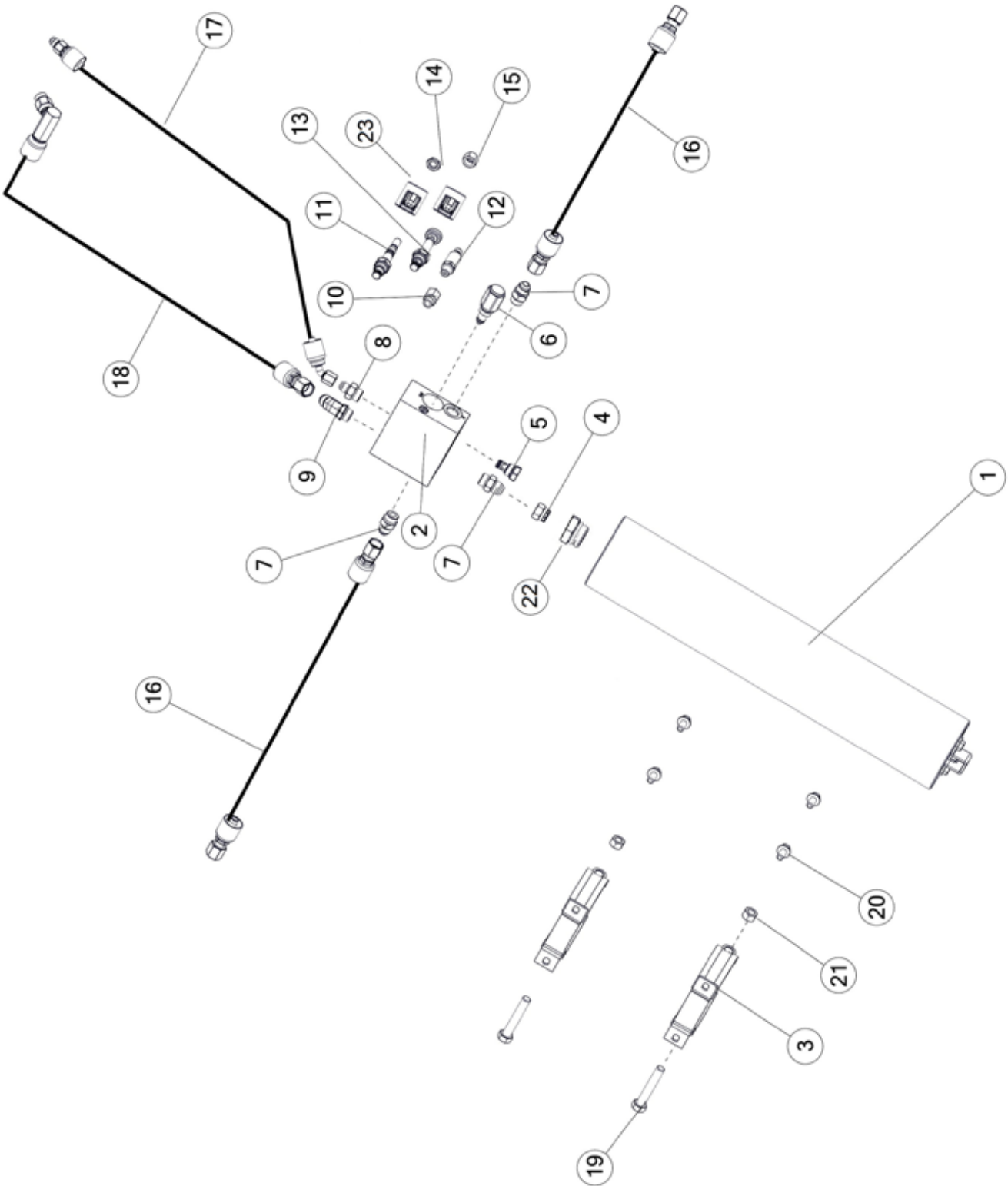


FIGURE 22

ACCUMULATOR & HYDRAULIC

<u>ITEM</u>	<u>QTY</u>	<u>PART#</u>	<u>DESCRIPTION</u>
1	1	TFM59	WING ACCUMULATOR
2	1	83787	MANIFOLD BLOCK
3	2	TFM60	ACCUMULATOR CLAMP ASSY
4	1	58161	FITTING ST, 8 JIC, 8 ORB
5	1	79214	HYD VALVE, CHECK
6	1	83786	HYDRAULIC VALVE
7	2	TS137	FTG,ST,8JIC,8ORB,STL
8	1	CHM207	FTG,ST,6JIC,8ORB,STL
9	1	8012	FITTING, 45, 8JIC X 8JIC
10	1	77752	FTG,ST,6ORB,1/4NPT, STL
11	1	83785	HYDRAULIC VALVE, SPOOL
12	1	77259	ELEC,FTG,TRANS,0-3000PSI,1/4 NPT
13	1	83783	HYD VALVE
14	1	77078	HYD, SPOOL NUT, #8
15	1	83784	HEX NUT
16	2	84284	HYD HOSE, 8, 120IN
17	1	84149	HYDRAULIC HOSE, 6, 54.0
18	1	84148	HYDRAULIC HOSE, 8, 38.0
19	2	YBHH16105	BOLT, 1/2 X 3 GR 5
20	4	YBFB12075	BOLT FLG, 3/8 X 3/4 G5
21	2	YNHX16005	NUT, HEX, 1/2-13, NA, A, ZC
22	1	83368	REDUCER
23	2	74395	ELEC COIL, POPPET

FIGURE 23 HEAD HYDRAULIC VALVE

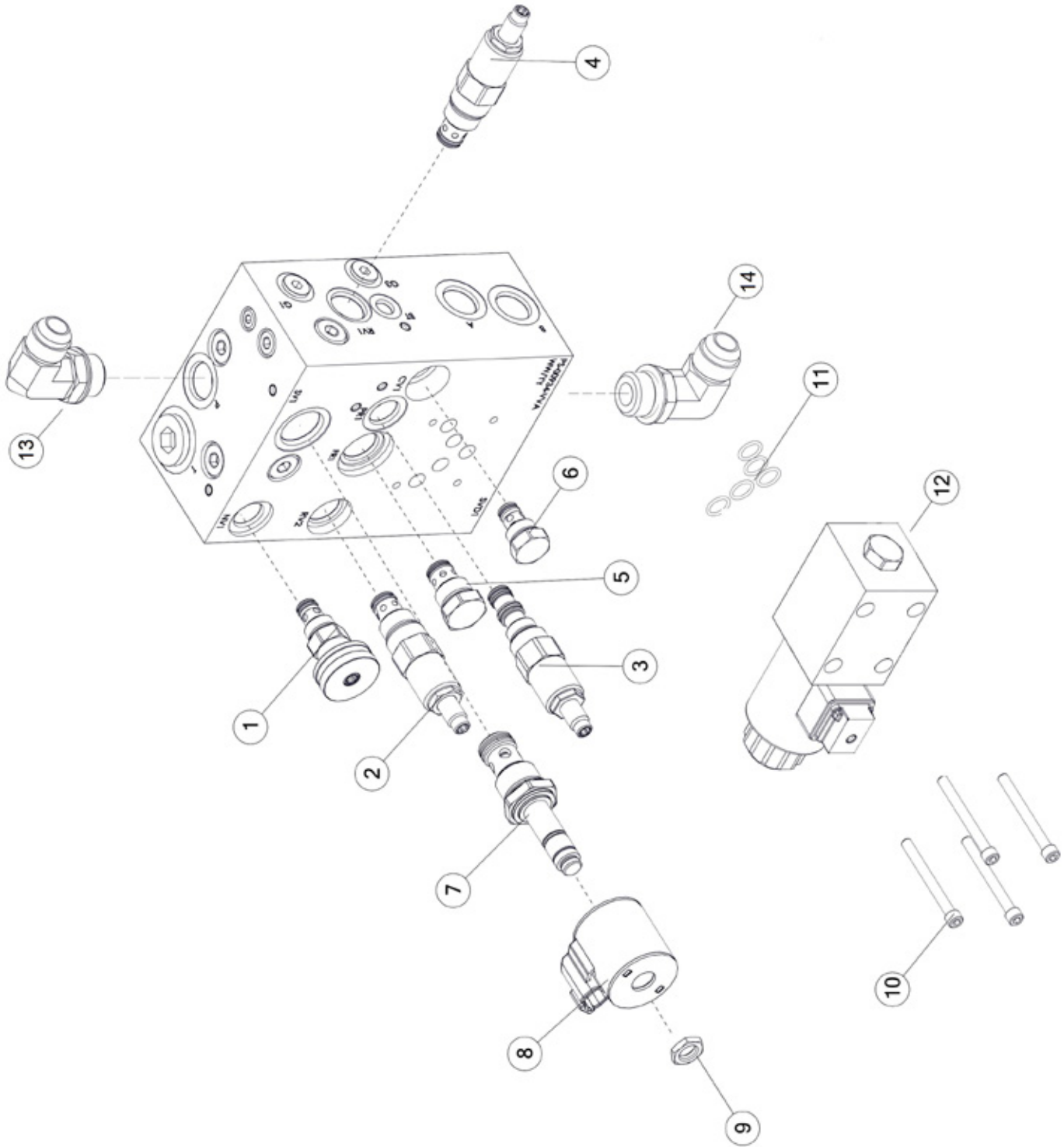
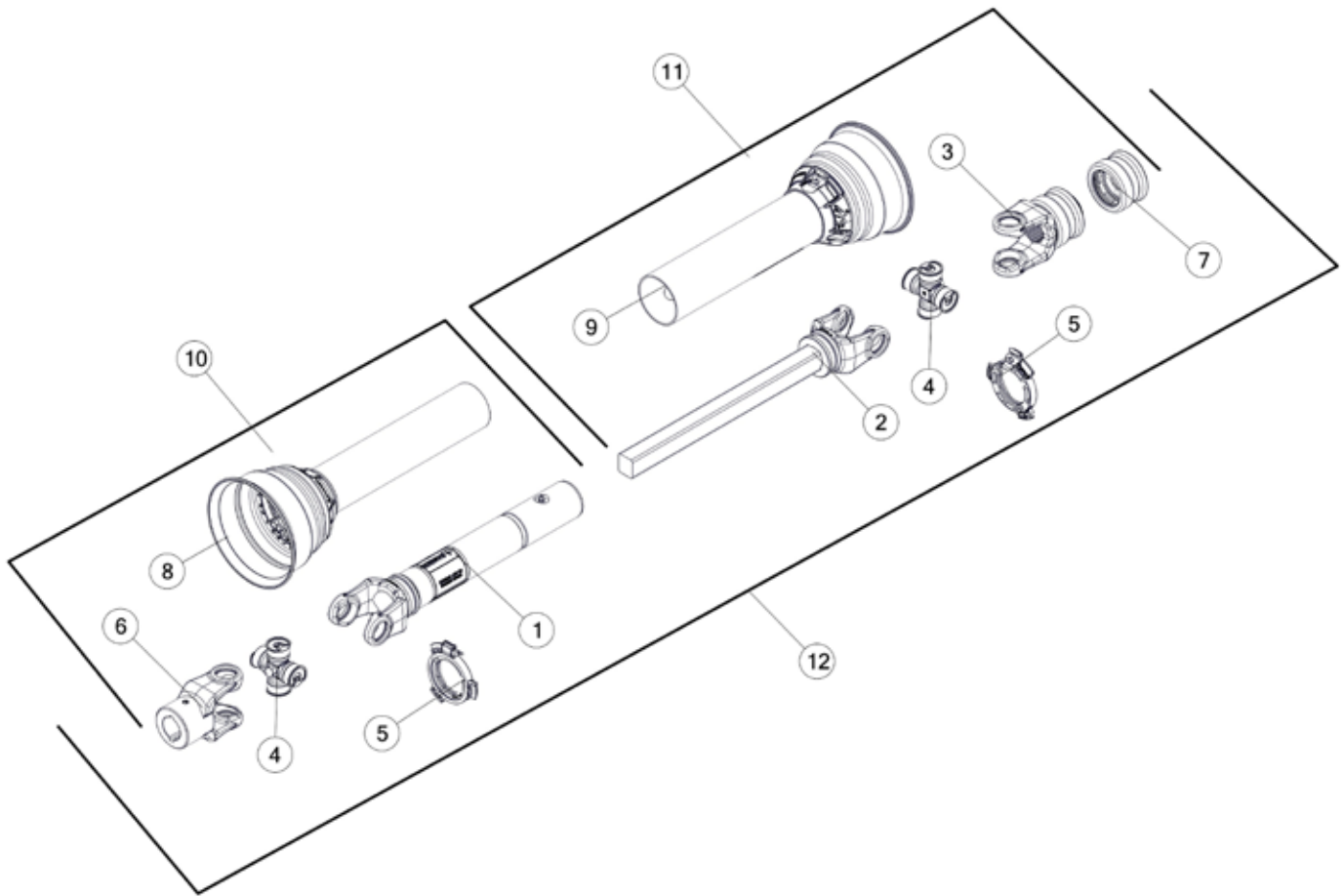


FIGURE 23

HEAD HYDRAULIC VALVE

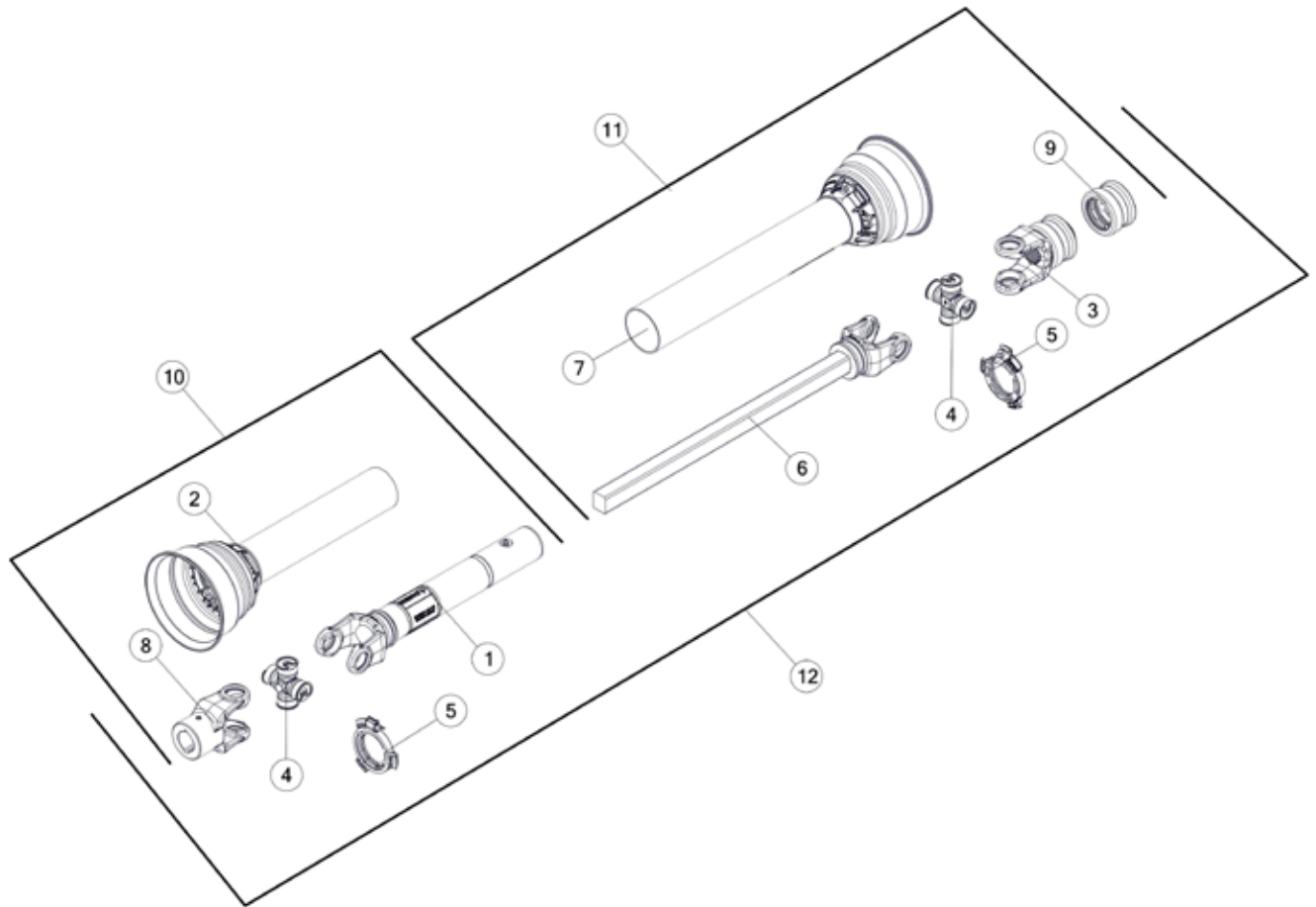
<u>ITEM</u>	<u>QTY</u>	<u>PART#</u>	<u>DESCRIPTION</u>
1	1	86411	HYDRAULIC VALVE, FLOW CONTROL
2	1	82988	HYDRAULIC VALVE, RELIEF
3	1	82993	HYDRAULIC VALVE, PRESSURE REDUCING
4	1	84004	HYDRAULIC VALVE, RELIEF
5	1	78862	HYDRAULIC CAVITY PLUG
6	1	82994	HYDRAULIC VALVE, CHECK
7	1	82987	HYDRAULIC VALVE, FLOW CONTROL
8	1	77071	ELECTRIC COIL, #10, 1.7A
9	1	77078	HYDRAULIC, SPOOL NUT, #8
10	4	YSHS08026	BOLT SOCKET, 1/4-20 X 2-1/2 BO
11	5	81714	O-RING
12	1	82991	HYDRAULIC VALVE, DIRECTIONAL
13	1	GM56	FITTING 90, 10JIC X 10ORB
14	1	CHM194	FITTING 90, 12JIC X 12ORB
*	1	91563	SEAL KIT

FIGURE 24
PTO 1-3/8 1000RPM STANDARD



<u>ITEM</u>	<u>QTY</u>	<u>PART#</u>	<u>DESCRIPTION</u>
1	1	23N155	YOKE & TUBE, PTO
2	1	23N159	HALF SHAFT & YOKE
3	1	37N73	YOKE, 1000 RPM, PTO
4	2	55858	CROSS KIT "E"
5	2	55861	GUARD REPAIR KIT
6	1	83389	YOKE
7	1	S225	SPRING LOCK REPAIR KIT
8	1	23N156	INNER GUARD, PTO
9	1	55864	OUTER GUARD, PTO
10	1	83419	YOKE & TUBE HALF ASSM GUARD
11	1	55862	YOKE & SHAFT W/GUARD
12	1	83421	PTO, 1000, 1-3/8

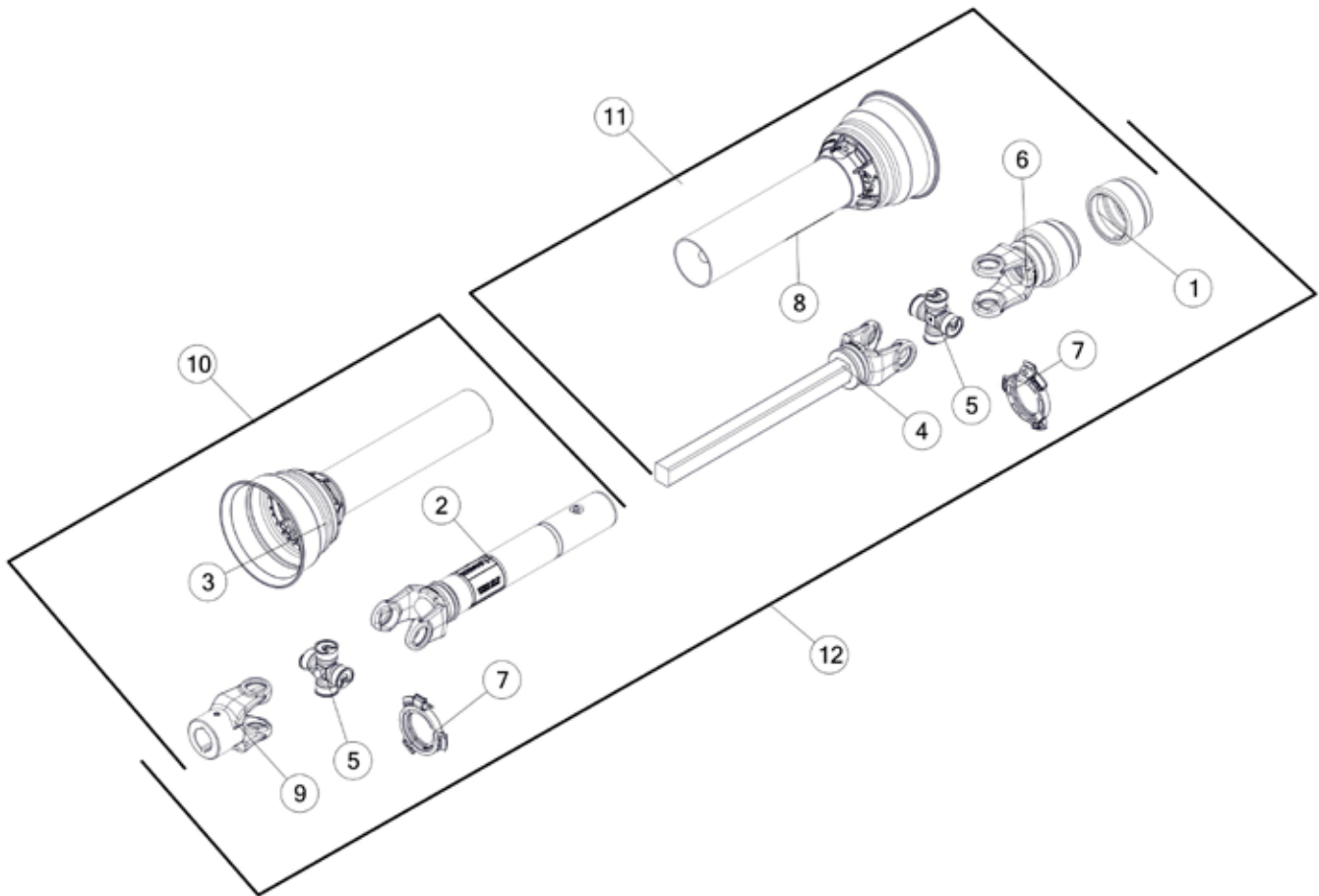
FIGURE 25 PTO 1-3/8 1000RPM LONG



<u>ITEM</u>	<u>QTY</u>	<u>PART#</u>	<u>DESCRIPTION</u>
1	1	23N155	YOKE & TUBE, PTO
2	1	23N156	INNER GUARD, PTO
3	1	37N73	YOKE, 1000 RPM, PTO
4	2	55858	CROSS KIT "E"
5	2	55861	GUARD REPAIR KIT
6	1	60095	YOKE & SHAFT
7	1	60100	PTO OUTER GUARD
8	1	83389	YOKE
9	1	S225	SPRING LOCK REPAIR KIT
10	1	83419	YOKE & TUBE HALF GUARD
11	1	60097	YOKE & SHAFT W/GUARD
12	1	83423	PTO, 1000, 1-3/8

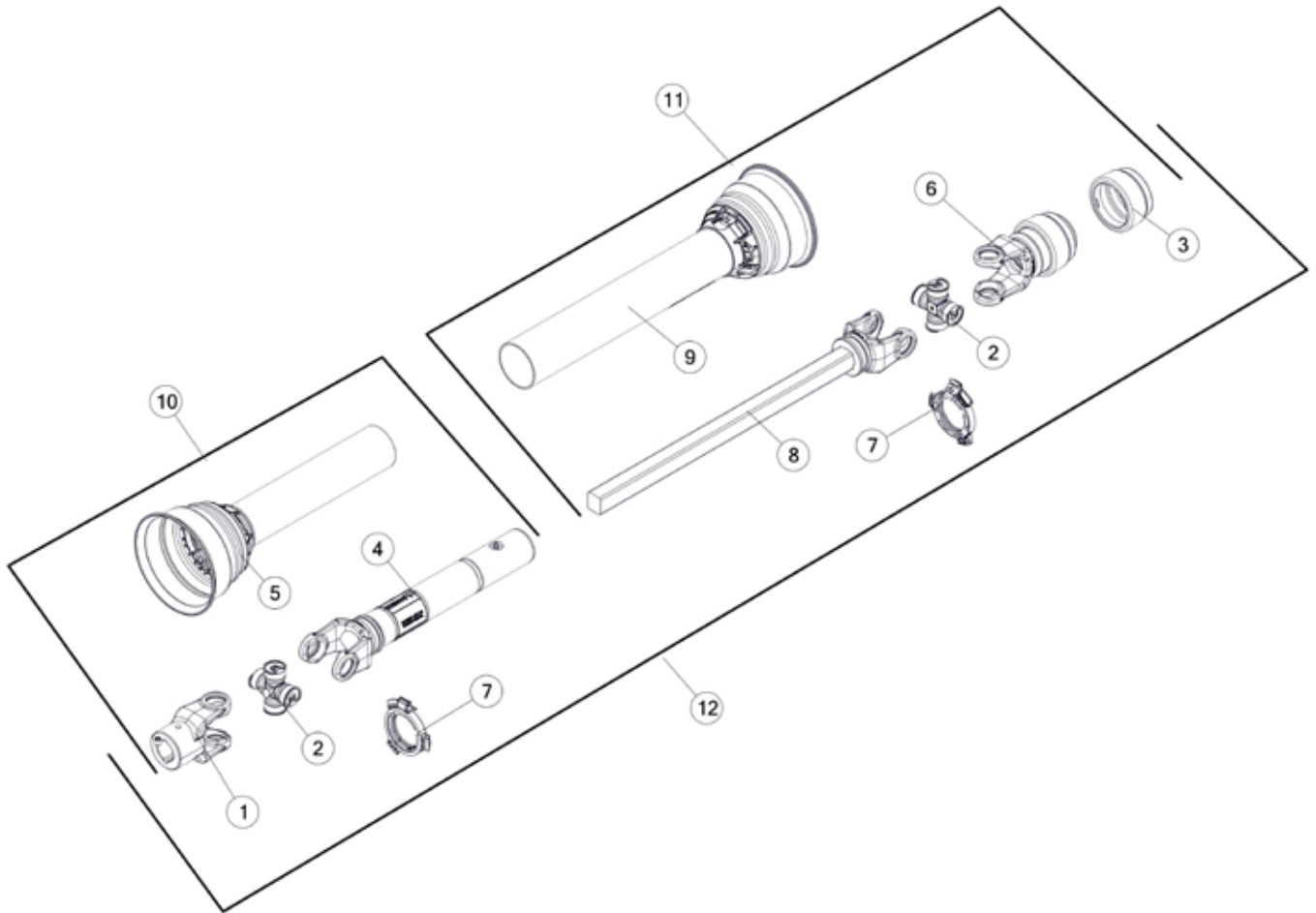
FIGURE 26

PTO 1-3/4 1000RPM STANDARD



<u>ITEM</u>	<u>QTY</u>	<u>PART#</u>	<u>DESCRIPTION</u>
1	1	16SV275	AUTO LOCK REPAIR KIT
2	1	23N155	YOKE & TUBE, PTO
3	1	23N156	INNER GUARD, PTO
4	1	23N159	HALF SHAFT & YOKE
5	2	55858	CROSS KIT "E"
6	1	55860	SPRING LOCK & YOKE (1-3/4-1000)
7	2	55861	GUARD REPAIR KIT
8	1	55864	OUTER GUARD, PTO
9	1	83389	YOKE
10	1	83419	YOKE & TUBE HALF GUARD
11	1	8581	YOKE & SHAFT W/GUARD
12	1	83422	PTO, 1000, 1-3/4

FIGURE 27
PTO 1-3/4 1000RPM LONG



<u>ITEM</u>	<u>QTY</u>	<u>PART#</u>	<u>DESCRIPTION</u>
1	1	83389	YOKE, IMPLEMENT, 1.25 IN BORE
2	2	55858	CROSS KIT "E"
3	1	16SV275	AUTO LOCK REPAIR KIT
4	1	23N155	YOKE & TUBE, PTO
5	1	23N156	INNER GUARD, PTO
6	1	55860	SPRING LOCK & YOKE (1-3/4-1000)
7	2	55861	GUARD REPAIR KIT
8	1	60095	YOKE & SHAFT
9	1	60100	PTO OUTER GUARD
10	1	83419	YOKE & TUBE HALF GUARD
11	1	60096	YOKE & SHAFT HALF W/GUARD
12	1	83424	PTO, 1000, 1-3/4

FIGURE 28 **OPTIONAL REMOTE FILTER**

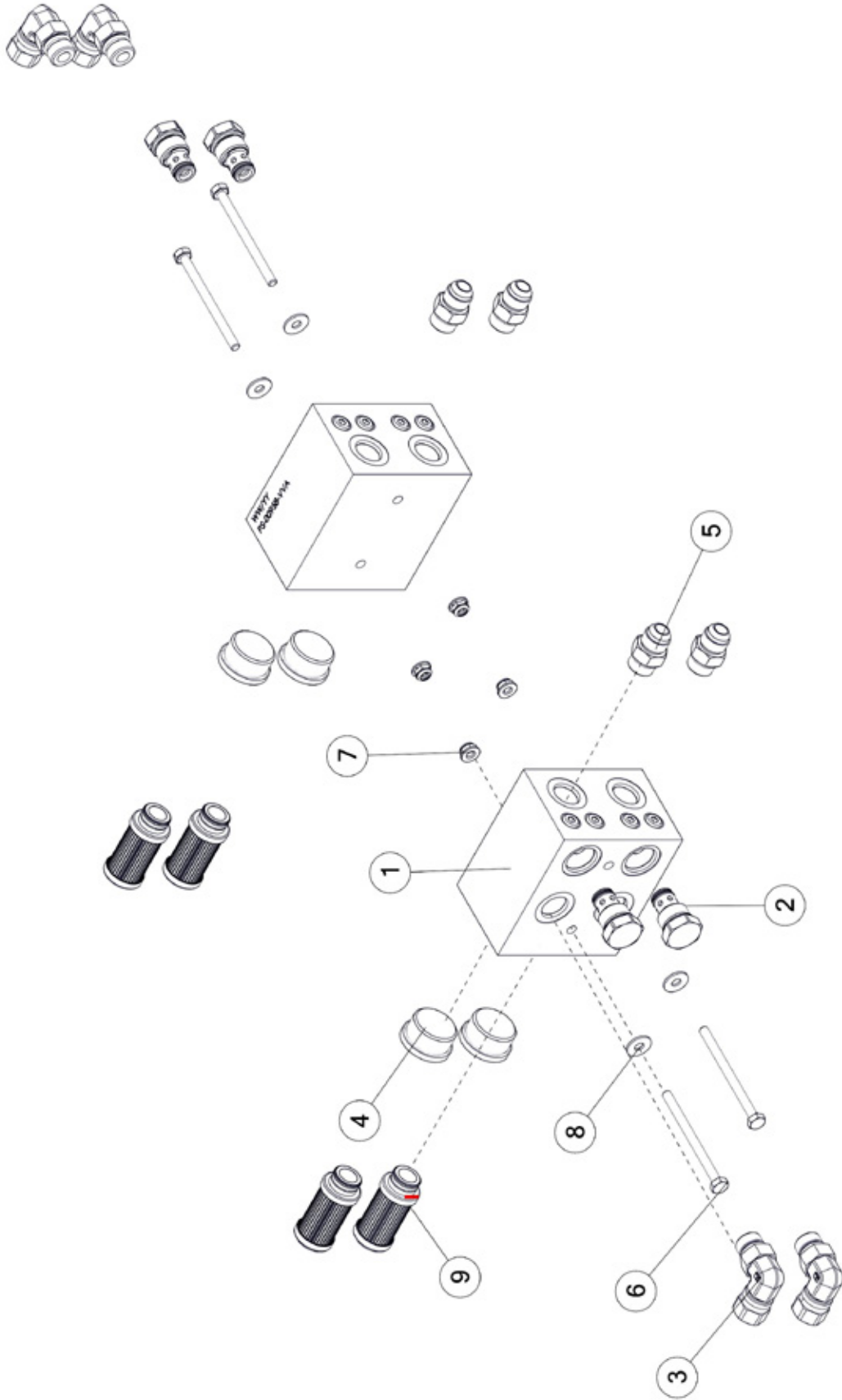


FIGURE 28
OPTIONAL REMOTE FILTER

<u>ITEM</u>	<u>QTY</u>	<u>PART#</u>	<u>DESCRIPTION</u>
1	2	83689	MANIFOLD BODY
2	4	79062	HYDRAULIC VALVE, 5 PSI CHECK
3	4	83700	FITTING 90, -8 JIC, 1/2 ORB
4	4	SD269	HOLLOW HEX PLUG
5	4	TS137	FITTING STRAIGHT, 8JIC, 8ORB, STL
6	4	YBHH08092	BOLT HEX, 1/4 X 3 1/2 G5
7	4	YNFG08010	NUT FLANGE, 1/4
8	4	YWFL08005	WASHER, 1/4
9	4	79212	HYD FILTER, 50 MICRON

FIGURE 29
DISPLAY MOUNT

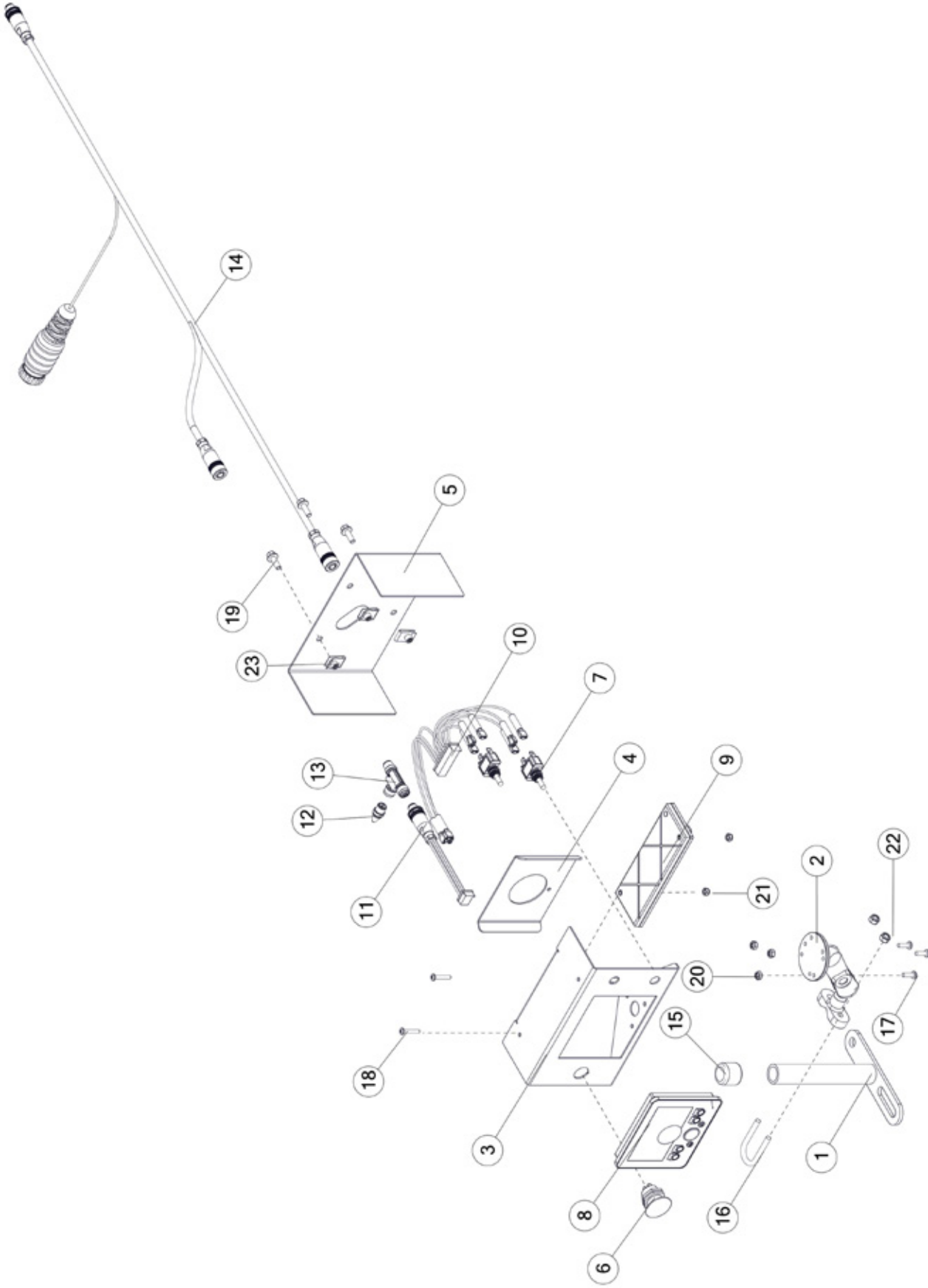


FIGURE 29

DISPLAY MOUNT

<u>ITEM</u>	<u>QTY</u>	<u>PART#</u>	<u>DESCRIPTION</u>
1	1	PTMWE66	CONTROL BOX BRACKET ASSY
2	1	TFM105	MOUNT, CTRL CONSOLE, RAM, TFM
3	1	90245	MOUNTING BRACKET
4	1	77541	BRKT, DISPLAY BACK
5	1	90247	PANEL COVER
6	1	80161	PUSH BUTTON
7	2	80163	TOGGLE, ON/OFF/ON
8	1	89813	DISPLAY MODULE
9	1	89805	CAN MODULE
10	1	89803	ELECTRIC HARNESS, TOGGLES
11	1	89804	ELECTRIC HARNESS, CAN
12	1	75449	RESISTOR
13	1	75447	CAN SPLITTER
14	1	89553	CAB HARNESS
15	1	TFM104	PLUG
16	1	YBPU08003	1/4"-20 X 1/2" PIPE SIZE U- BOLT
17	3	YSPN64005	MACHINE PPHS, #10-24 X 5/8 ZINC
18	2	YSPP62100	PPHMS, #8-32 X 1.00
19	2	YBFB08075	BOLT FLANGE, 1/4 X 3/4 G5
20	3	YNNY64005	NUT HEX, #10-24 LKNY G2 ZC
21	2	YNNY62005	NUT HEX, #8-32 LKNY G2 ZC
22	2	YNNY08005	NUT HEX, 1/4-20 LKNY G2 ZC
23	3	77738	U NUT, 1/4-20, .15 X .53

FIGURE 30
LIGHTS

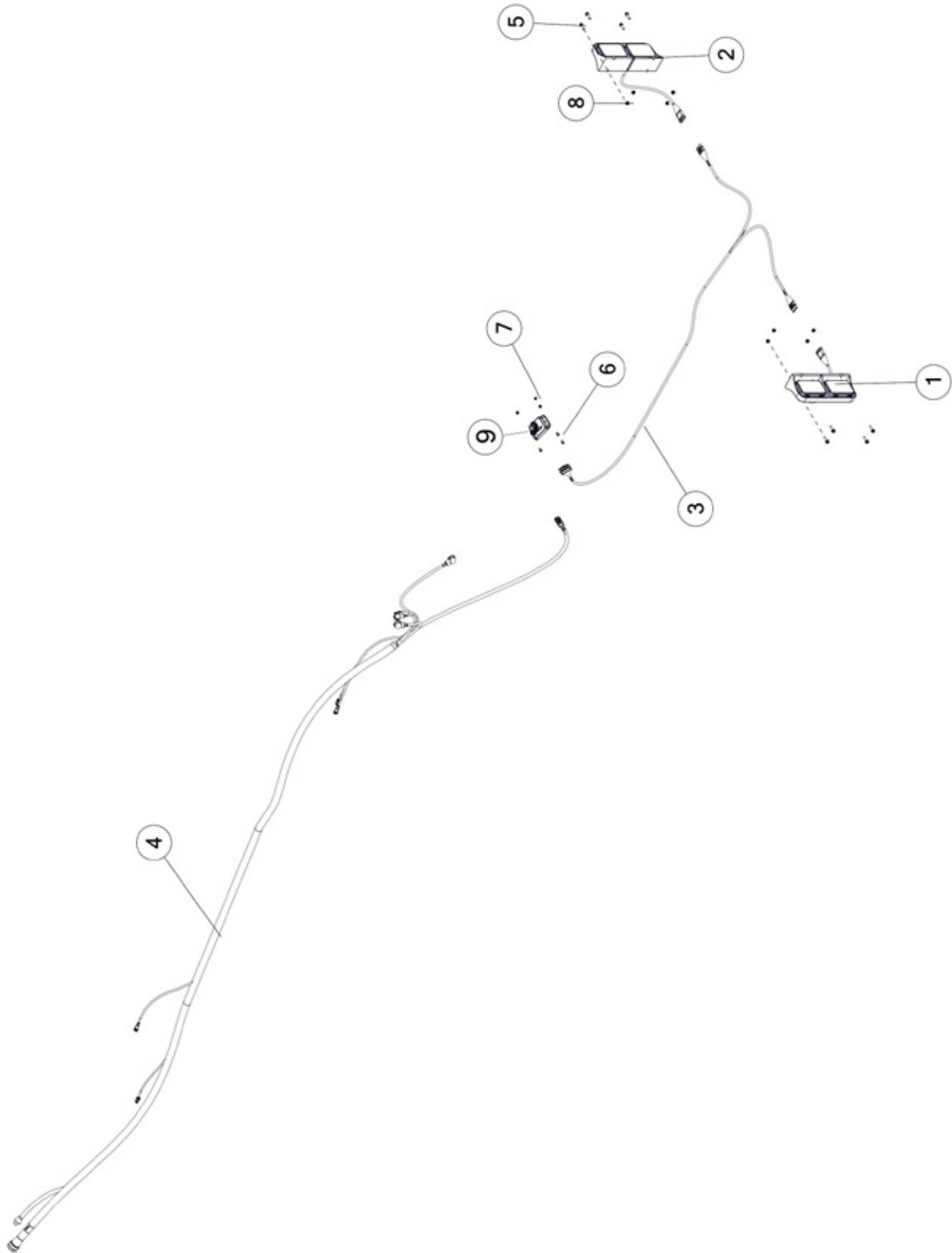


FIGURE 30 LIGHTS

<u>ITEM</u>	<u>QTY</u>	<u>PART#</u>	<u>DESCRIPTION</u>
1	1	TFM71	TAIL LIGHT LH
2	1	TFM72	LED TAIL LIGHT ASSEMBLY RH
3	1	83000	ELECTRIC HARNESS, TAIL LIGHTS
4	1	79943	POWER HARNESS
5	8	YBFB08100	BOLT FLANGE, 1/4 X 1 G5
6	3	YSPP64005	SCREW, PHILLIPS PAN HEAD TYPE, 10 X 1/2
7	3	YNNY64006	NUT HEX, 10
8	8	YNFG08010	NUT FLANGE, 1/4
9	1	69908	FLASHER MODULE

FIGURE 31
ELECTRICAL

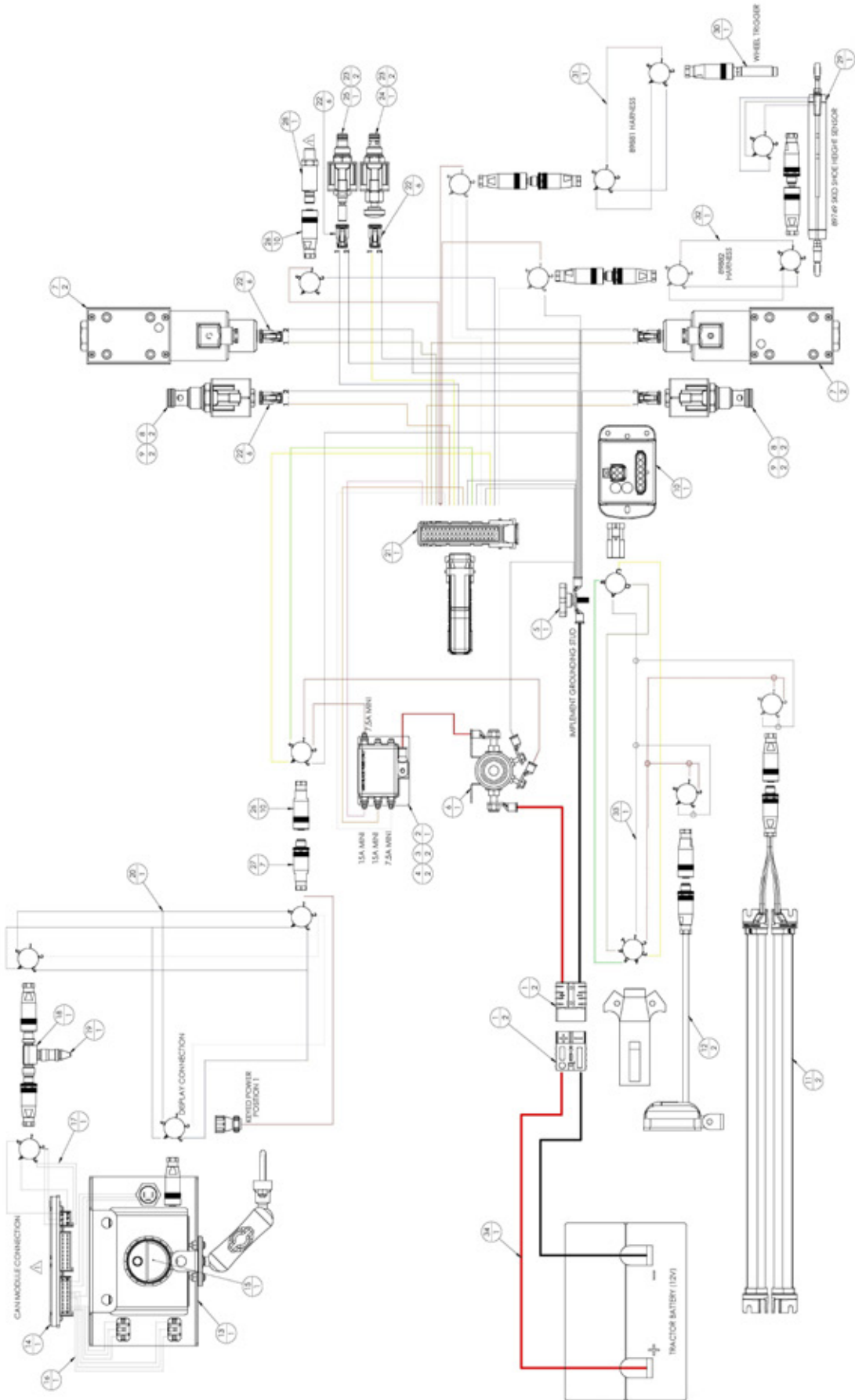


FIGURE 31 ELECTRICAL

<u>ITEM</u>	<u>QTY</u>	<u>PART#</u>	<u>DESCRIPTION</u>
1	2	86995	POWER CONNECTOR HOUSING
2	1	77590	12V, 6 WAY, FUSE BLOCK
3	2	EFLD015	15 A FUSE
4	2	EFLD007	7.5 A FUSE
5	1	79919	DISTRIBUTION BLOCK
6	1	83008	SOLENOID
7	2	82991	HYD VALVE, DIRECTIONAL
8	2	82987	HYD VALVE, FLOW CONTROL
9	2	77071	ELEC, COIL, #10, 1.7A
10	1	69908	MODULE, CONTROL, BLINKER
11	2	77783	LIGHT BAR, 12V X .32A X 1000 LU
12	2	79334	LIGHT
13	1	89202	CONSOLE ASSEMBLY, TF6128
14	1	89805	CAN MODULE
15	1	89813	DISPLAY MODULE
16	1	89803	ELECTRICAL HARNESS, TOGGLES
17	1	89804	ELECTRICAL ARNESS, CAN
18	1	75447	CAN SPLITTER
19	1	75449	RESISTOR
20	1	89553	IN CAB HARNESS
21	1	89552	PLC HARNESS
22	6	58790	ELEC, DT06-2S, DEUTCH
23	2	74395	ELEC COIL, POPPET
24	1	83783	HYDRAULIC VALVE, FLOW CONTROL
25	1	83785	HYDRAULIC VALVE, FLOW CONTROL
26	10	77825	M12, 5 PIN REPAIR, FEMALE
27	7	77826	M12, 5 PIN REPAIR, MALE
28	1	77259	PRESSURE TRANSDUCER, 0-3000PSI
29	1	89748	HEAD HEIGHT SENSOR
30	1	80470	PROX SENSOR
31	1	89881	ELECTRIC HARNESS, TROGGER
32	1	89882	ELECTRIC HARNESS, HEIGHT
33	1	79943	MERGER POWER HARNESS
34	1	84062	TRACTOR POWER HARNESS

FIGURE 32
OPTIONAL TFOHSS

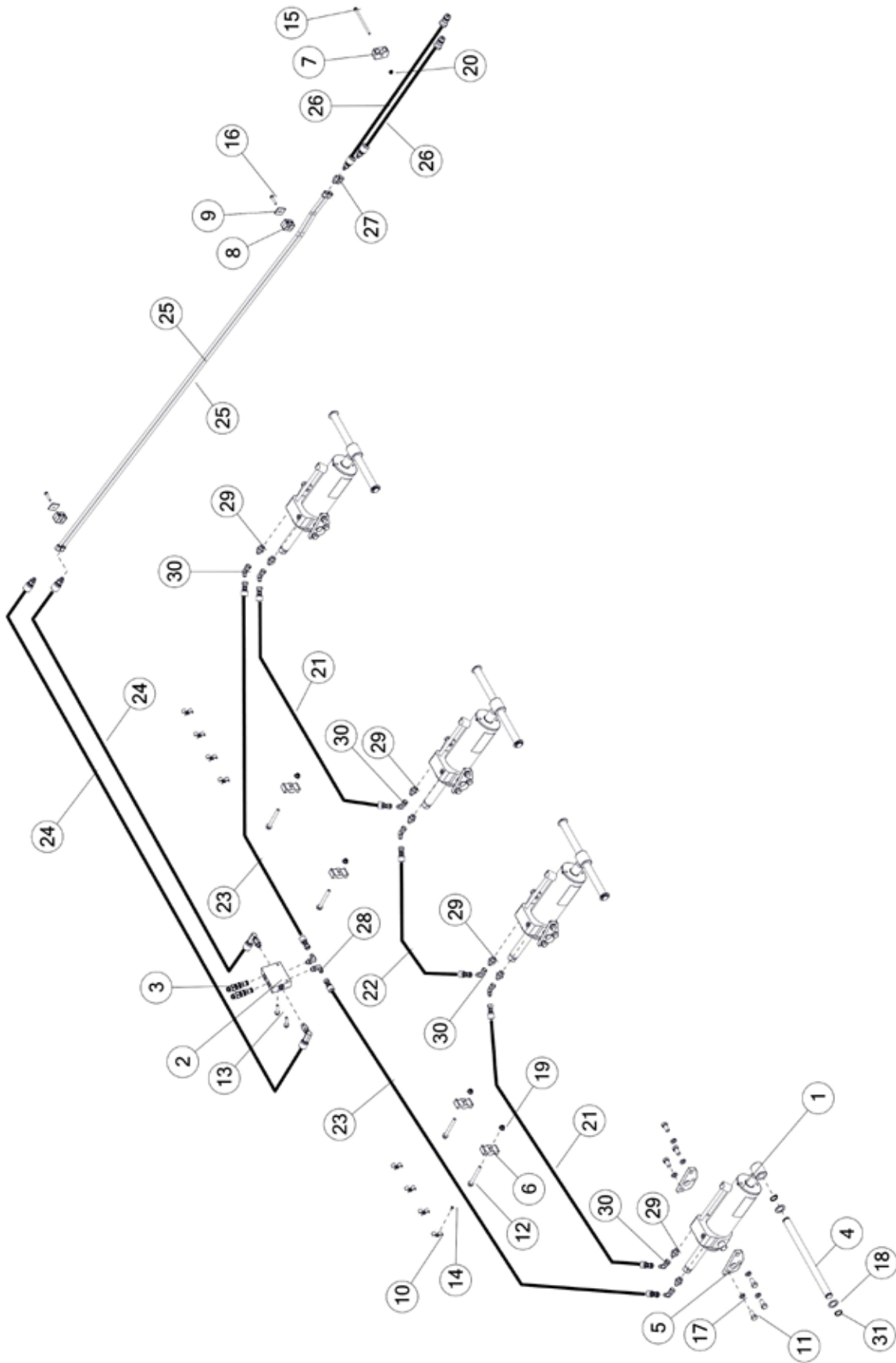


FIGURE 32

OPTIONAL TFOHSS

<u>ITEM</u>	<u>QTY</u>	<u>PART#</u>	<u>DESCRIPTION</u>
1	4	90462	HYDRAULIC CYLINDER, 3 1/2 X 6
*	1	90463	SEAL KIT
*	1	90465	PISTON ASSEMBLY
*	1	90466	BAS END SHAFT
*	1	90467	ROD END SHAFT
2	1	85084	HYD MANIFOLD, COUNTERBALANCE
3	2	8656	COUNTERBALANCE VALVE
4	4	71062	PIN, TFM LONG
5	8	57435	TRUNNION PLATE
6	4	86567	DOUBLE CLAMP, UNIVERSAL
7	1	CHM278	3/8 TWO LINE CLAMP BLOCK
8	2	56597	HOSE CLAMP, DOUBLE, 3/8 TUBE
9	2	CHM277	T1 HOSE CLAMP COVER
10	8	83739	HOSE CLAMP
11	24	YBHH16010	BOLT HEX, 1/2-13 X 1 G5
12	4	YBFB12350	BOLT FLANGE, 3/8 X 3-1/2 G5
13	2	YBFB10175	BOLT FLANGE, 5/16 X 1-3/4 G5
14	8	YSMP64005	MACHINE PPHS, #10-32 X 1/2 SS
15	1	YBHH08120	BOLT HEX, 1/4 X 5 G5
16	2	CHM276	CLAMP BOLT, 1/4 X 1-3/8
17	24	YWLO16005	WASHER LOCK, 1/2
18	8	YWFL32010	WASHE, FLAT, 1.5 X 1 X .07 ZY
19	4	YNFG12006	NUT FLANGE, 3/8 GF
20	1	YNFG08010	NUT FLANGE, 1/4 GF
21	2	88105	HYDRAULIC HOSE, 4, 190IN
22	1	88104	HYDRAULIC HOSE, 4, 390IN
23	2	88106	HYDRAULIC HOSE, 6, 225IN
24	2	88107	HYDRAULIC HOSE, 6, 86IN
25	2	79239	HYD TUBE
26	2	84161	HYD HOSE, 6, 92IN
27	2	58142	IN-LINE CONNECTOR, ORIFICE, 6-XHX7-S .031
28	2	CHM268	FITTING, 90, 6JIC X 6ORB
29	8	CHM207	FTG,ST,6JIC,8ORB,STL
30	8	60062	FITTING, SWIVEL NUT ELBOW, 3/8
31	8	3G21	SNAP RING, 1 HEAVY DUTY

FIGURE 33 **OPTIONAL TFODDCC**

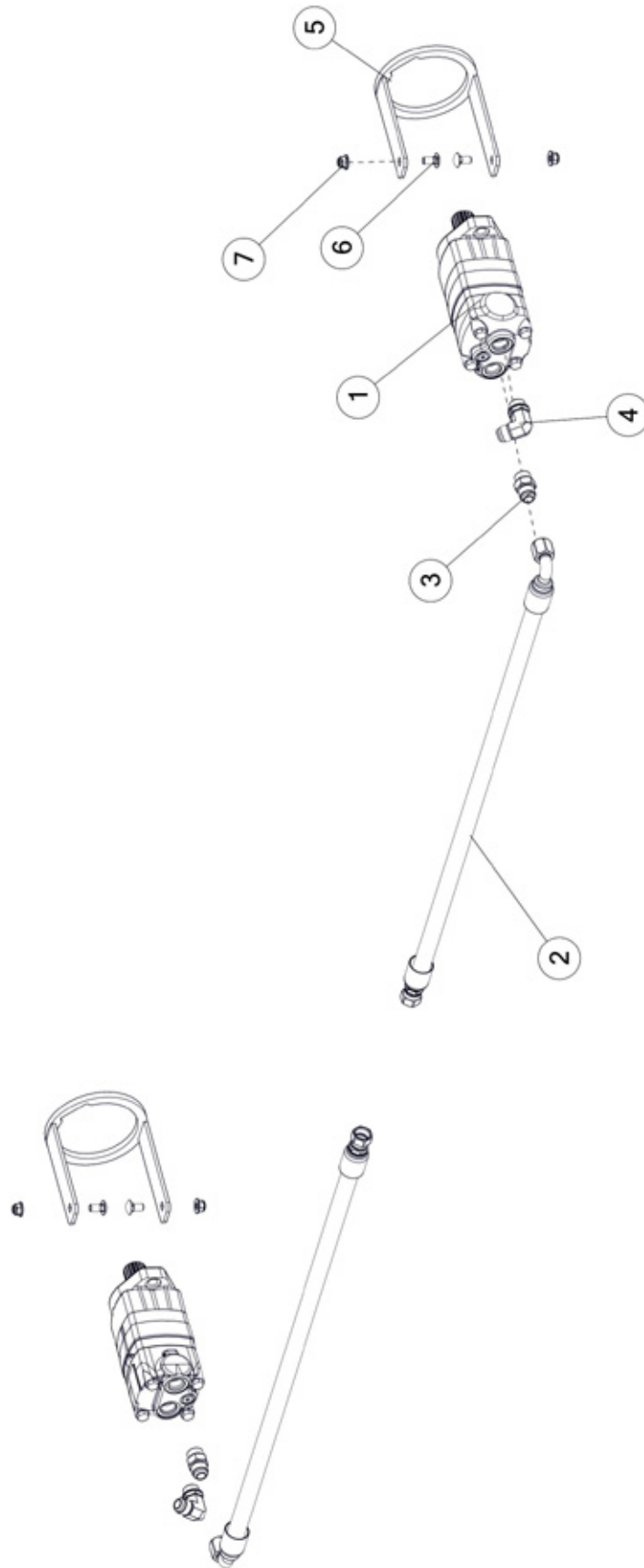


FIGURE 33
OPTIONAL TFODDCC

<u>ITEM</u>	<u>QTY</u>	<u>PART#</u>	<u>DESCRIPTION</u>
1	2	81763	HYD MOTOR, 9.6 CU IN, 2K
2	2	88044	HYD HOSE, 10, 36IN
3	2	GM57	FTG, ST, 10JIC, 10ORB, STL
4	2	GM56	FITTING, 90, 10JIC X 10ORB
5	2	83177	MOTOR HOLD DOWN BRACKET
6	4	YBCR12065	BOLT CARRIAGE, 3/8-16 X 3/4 G5 ZC
7	4	YNFG12006	NUT FLANGE, 3/8 GF

PARTS NOTES

CHANGE NOTES

H&S MFG. CO.

products approved

for the

FEMA

SEAL OF QUALITY



Manufactured by:

H&S MANUFACTURING CO., INC.

2608 S. HUME AVE. MARSHFIELD, WI 54449

(715) 387-3414 | hsmfgco.com

